



STAX





STAX-TBL02 O

DWG# 14026 DIM: 30 1/4" X 30 1/4" X 24"

- Round table w/ 1 1/2" deep plastic liner
- Plastic liner w/ drain available: DWG# 14036
- Plastic riser available: DWG# 27662



STAX-TBL01 O

DWG# 14025 DIM: 36 1/4" X 36 1/4" X 32"

- Round table w/ 1 1/2" deep plastic liner
- Two swivel shelves
- Plastic riser available: DWG# 27661



STAX-TBL03 O

DWG# 14604 DIM: 42 1/4" X 42 1/4" X 38"

- Round table w/ 1 1/2" deep plastic liner
- Two swivel shelves
- Plastic risers available: DWG# 15345 & 14749



PED-RSR 001 O

DWG# 18639 DIM: 18" X 18" X 5"

- Round pedestal w/ 2" deep plastic liner
- Sits on any flat surface



PED-RSR RND 120

DWG# 17264 DIM: 18" X 18" X 12 1/4"

- Round pedestal
- 2" Deep plastic liner available: DWG# 17118
- Sits on any flat surface



PED-RSR RND O

DWG# 16744 DIM: 18" X 18" X 18 1/4"

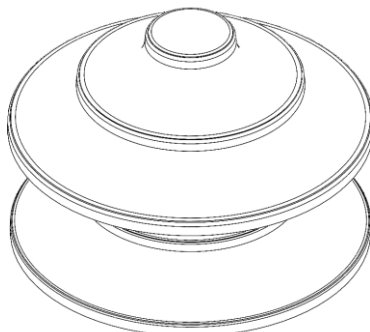
- Round pedestal
- 2" Deep plastic liner available: DWG# 17118
- Sits on any flat surface



STAX-02 BAN

DWG# 27662 DIM: 30 5/16" X 30 5/16" X 12"

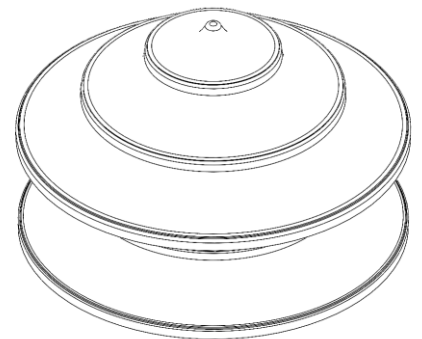
- Plastic riser w/ foam pad
- Fits 30" round tables
- Two steps w/ scoops



STAX-01 BAN

DWG# 27661 DIM: 36 7/16" X 36 7/16" X 12"

- Plastic riser w/ foam pad
- Fits 36" round tables
- Two steps w/ scoops

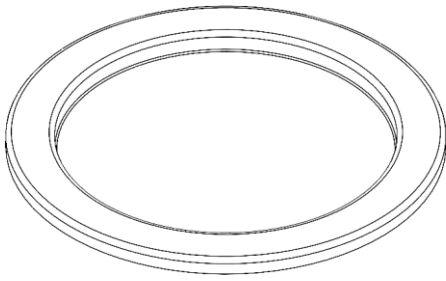


STAX-03 BAN

DWG# 14749 DIM: 42 1/2" X 42 1/2" X 16 5/16"

- Plastic riser w/ foam pad
- Fits 42" round tables
- Three steps w/ scoops

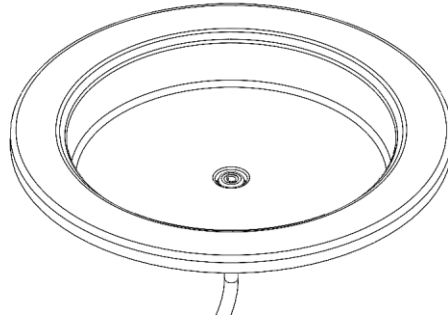
PRODUCE: STAX



STAX-LNR02-1

DWG# 14035 DIM: 30 3/8" X 30 3/8" X 1 1/2"

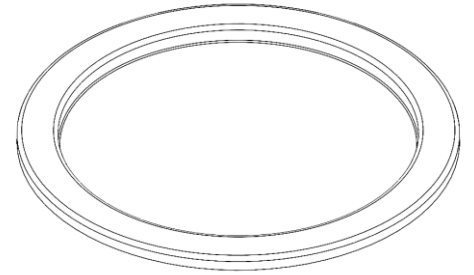
- Plastic liner
- Fits 30" round tables



STAX-LNR02-2

DWG# 14036 DIM: 30 3/8" X 30 3/8" X 4"

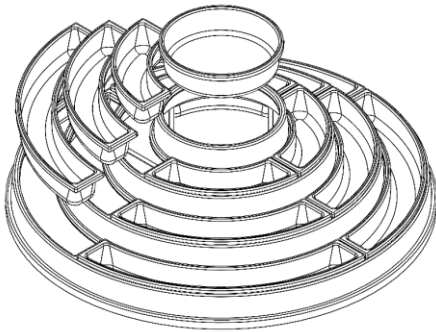
- Plastic liner w/ drain system
- Fits 30" round tables



STAX-LNR01-1

DWG# 14034 DIM: 36 3/8" X 36 3/8" X 1 1/2"

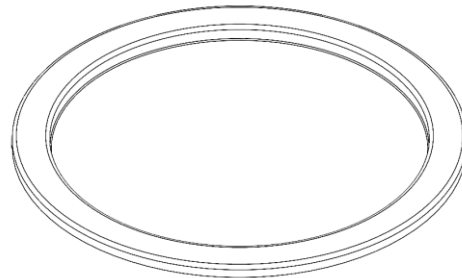
- Plastic liner
- Fits 36" round tables



STAX-03 ASP

DWG# 15345 DIM: 42 1/2" X 42 1/2" X 12"

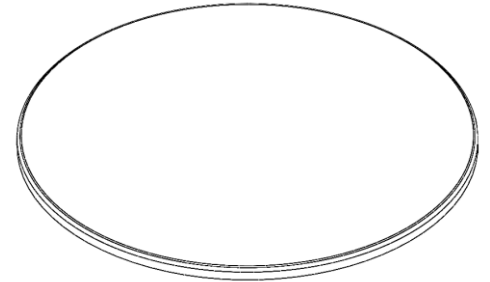
- Plastic riser
- Fits 42" round tables
- Three steps w/ (13X) removable trays



STAX-LNR03-1

DWG# 15777 DIM: 42 7/16" X 42 7/16" X 1 1/2"

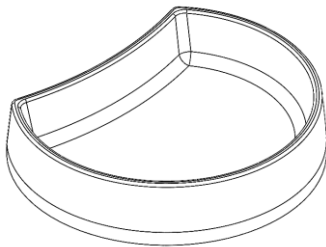
- Plastic liner
- Fits 42" round tables



STAX-LNR03-3

DWG# 15352 DIM: 42 7/16" X 42 7/16" X 1 1/8"

- Plastic liner
- Fits 42" round tables



STAX-SSB01

DWG# 18540 DIM: 18 1/16" X 15 7/32" X 4"

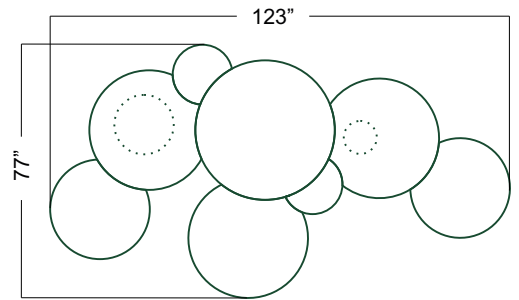
- Plastic pocket
- Fits swivel shelves on DWG#s 14604 & 14025



SH-97

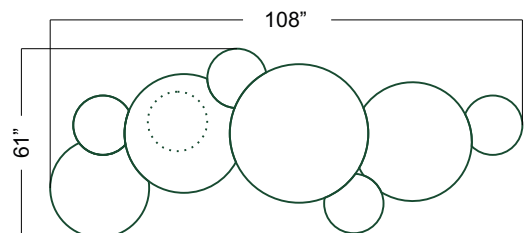
DWG# 18638 DIM: 10" X 10" X 25 1/2"

- Curve top sign holder
- Powder coated metal frame
- Expanded metal center



CONCEPT 1

(3X) 14025, (2X) 14026, (1X) 18639, (1X) 14604, (1X) 14749, (1X) 18638



CONCEPT 2

(1X) 14026, (2X) 14025, (1X) 18639, (1X) 14604, (1X) 14749