

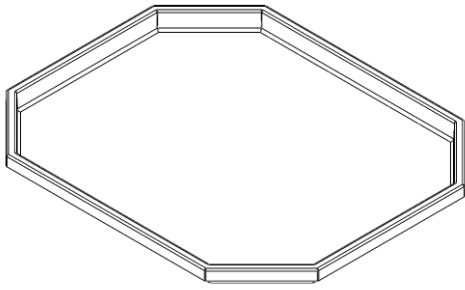


OCT DISPLAY





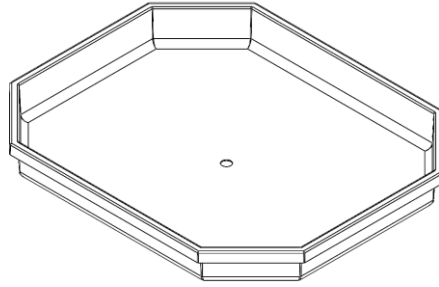
PRODUCE: OCT DISPLAY



OCT-40X47X25

DWG# 10421 DIM: 47 1/8" X 39 1/4" X 2 1/2"

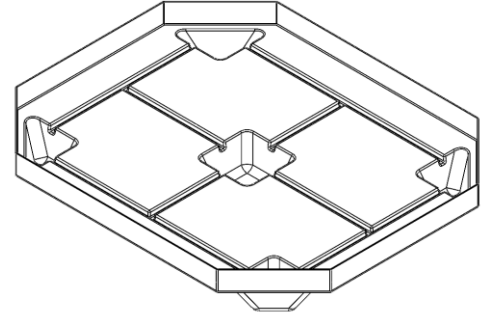
- Plastic liner
- Fits 40" X 47" octagonal display sleeves
- 5" Deep plastic liner available: DWG# 0983



OCT-40X47X5

DWG# 0983 DIM: 47 1/8" X 39 1/4" X 5"

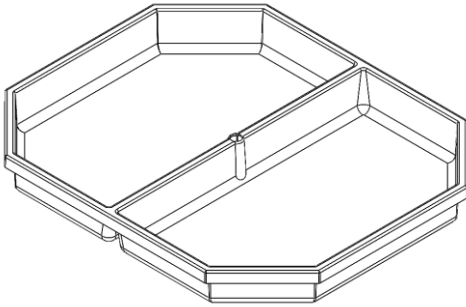
- Plastic liner
- Fits 40" X 47" octagonal display sleeves
- 2 1/2" Deep plastic liner available: DWG# 10421



OCTPB-40X47

DWG# 0995 DIM: 47" X 39" X 7"

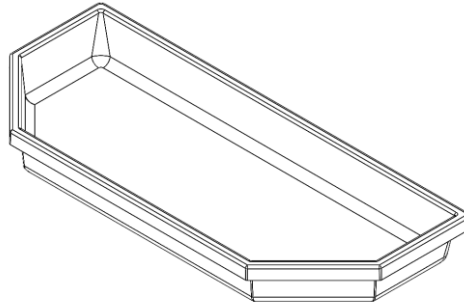
- Plastic base
- Fits 40" X 47" octagonal display sleeves



OCT-40X47X5B

DWG# 1280 DIM: 47 1/8" X 39 1/4" X 5"

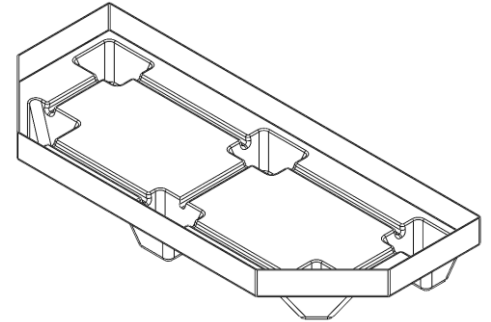
- Plastic liner w/ divider
- Fits 40" X 47" octagonal display sleeves
- Center cut out for optional bag holder



OCT-20X47X5

DWG# 6873 DIM: 46 1/16" X 20 1/16" X 5"

- Plastic liner
- Fits 20" X 47" octagonal display sleeves



OCTPB-20X47

DWG# 6873 DIM: 47" X 20" X 7"

- Plastic base
- Fits 20" X 47" octagonal display sleeves



OCT-OAK 40X47

DWG# 16515 DIM: 47 1/16" X 39" X 32 1/4"

- 5" Deep plastic liner & plastic base
- Slant plank wood sleeve
- Plain wood sleeve available: DWG# 21219



ICE-BIN 03 GAL

DWG# 31125 DIM: 46 1/2" X 38 1/2" X 38"

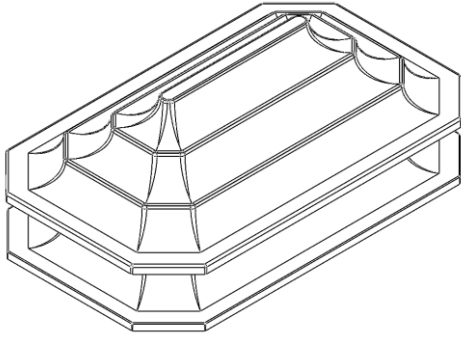
- 5" Deep plastic ice liner w/ drain system
- Galvanized metal sleeve & plastic base
- Sign holder



OCT-OAK 20X47

DWG# 16516 DIM: 46 7/8" X 20" X 32 1/4"

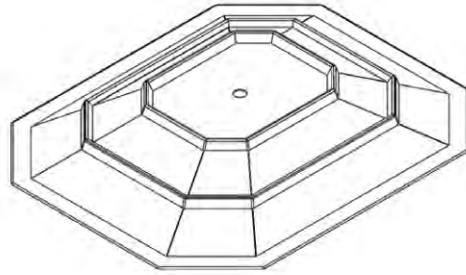
- 5" Deep plastic liner & plastic base
- Slant plank wood sleeve
- Cardboard sleeve available: DWG# 20348



OCT-4780 BAN

DWG# 15658 DIM: 79 1/8" X 47 3/4" X 17 5/8"

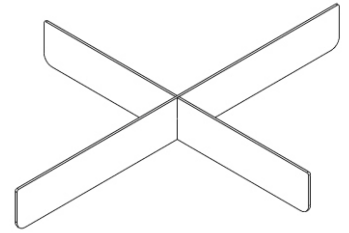
- Plastic riser w/ foam pad
- Fits on top (2X) 40" X 47" octagonal displays
- Three steps w/ scoops



OCT-40X47 RI2

DWG# 17156 DIM: 43 1/8" X 35 1/8" X 6 1/8"

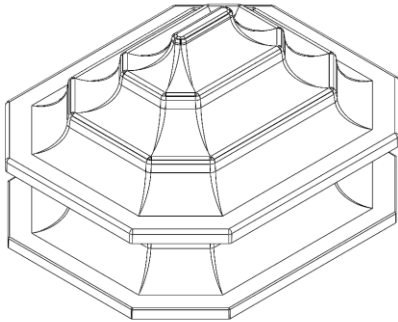
- Fits 40" X 47" octagonal display liners
- Center cut out for optional bag holder
- 4" Top bin divider available: DWG# 4655



OCT-40X47XD

DWG# 15594 DIM: 44 3/4" X 36 3/4" X 5"

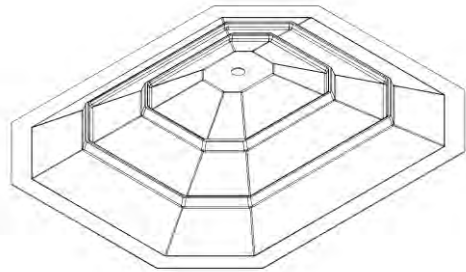
- Plastic divider
- Fits 40" X 47" octagonal display liners



OCT-4047 BAN

DWG# 16888 DIM: 47 3/4" X 40" X 16 5/8"

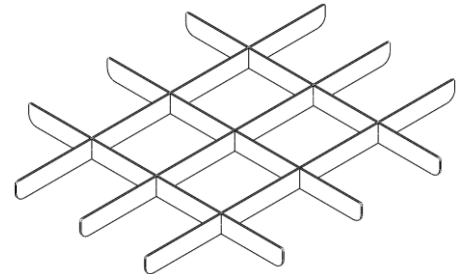
- Plastic riser w/ foam pad
- Fits on top (1X) 40" X 47" octagonal display
- Three steps w/ scoops



OCT-40X47 RI

DWG# 1278 DIM: 43 5/8" X 35 5/8" X 8"

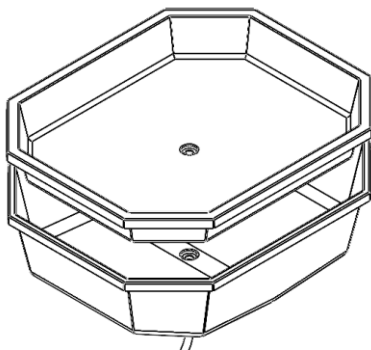
- Plastic riser
- Fits 40" X 47" octagonal display liners
- Center cut out for optional bag holder



OCT-GRID

DWG# 16758 DIM: 44 3/4" X 36 3/4" X 2 1/2"

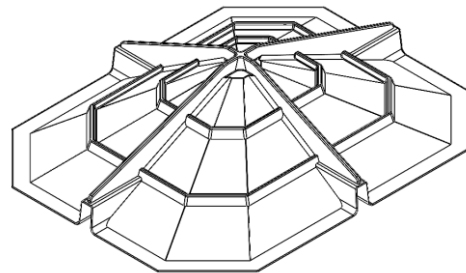
- Plastic divider
- Fits 40" X 47" octagonal display liners



OCT-40X47LR

DWG# 18965 DIM: 47 1/16" X 39 3/16" X 5 7/8"

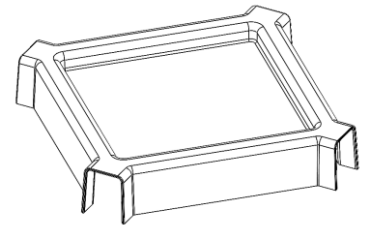
- Plastic liner w/ reservoir & drain system
- Fits 40" X 47" octagonal display sleeves



OCT-4X RI

DWG# 15326 DIM: 74 1/2" X 58 3/4" X 17 5/8"

- Plastic riser
- Fits (4X) 40" X 47" octagonal displays

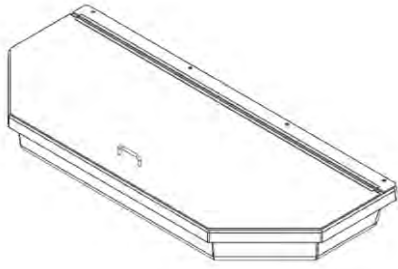


OCTSC-40X47

DWG# 1279 DIM: 15 1/8" X 15 1/8" X 3"

- Plastic seam cover
- Joins (4X) 40" X 47" octagonal display liners
- 1 3/4" tall 16 G metal available: DWG# 31969

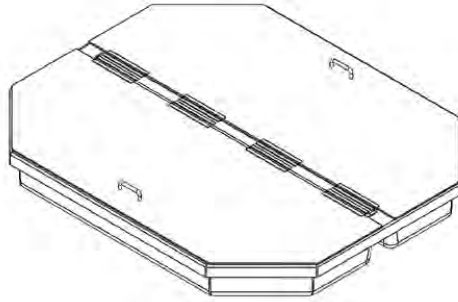
PRODUCE: OCT DISPLAY



OCT-PL1

DWG# 14983 DIM: 47 1/8" X 20 1/16" X 5"

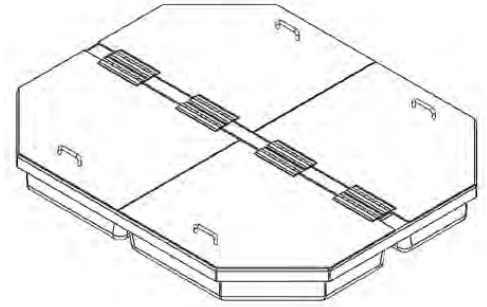
- Plastic liner
- Fits any octagonal display sleeve
- Pocket w/ clear lid



OCT-PL2

DWG# 3751 DIM: 47 1/8" X 39 1/4" X 5"

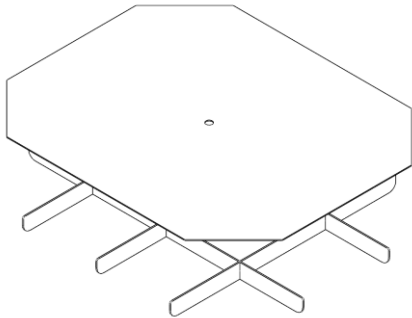
- Plastic liner
- Fits 40" X 47" octagonal display sleeves
- Two pockets w/ clear lids



OCT-PL4

DWG# 3752 DIM: 47 1/8" X 39 1/4" X 5"

- Plastic liner
- Fits 40" X 47" octagonal display sleeves
- Four pockets w/ clear lids



OCT-FB25

DWG# 15657 DIM: 44 3/4" X 36 3/4" X 2 1/2"

- Plastic false bottom w/ support grid
- Fits 40" X 47" octagonal display liners
- Center cut out for optional bag holder



OCTBH-40X47

DWG# 1281 DIM: 12" X 12" X 60 1/4"

- Standing bag holder
- 16 G metal w/ 1/4" base plate
- Fits through center of octagonal displays



OCT-CHIP

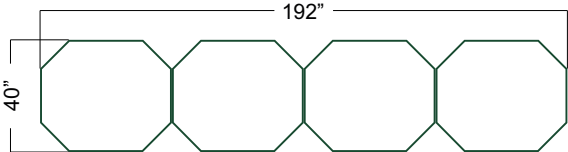
DWG# 11280 DIM: 47 1/8" X 39 1/4" X 5"

- 5" Deep plastic liner
- Wire shelf & melamine base
- Price tag molding



CONCEPT 1

(4X) 10573



CONCEPT 2

(4X) 21219, (1X) 16890, (1X) 15326

