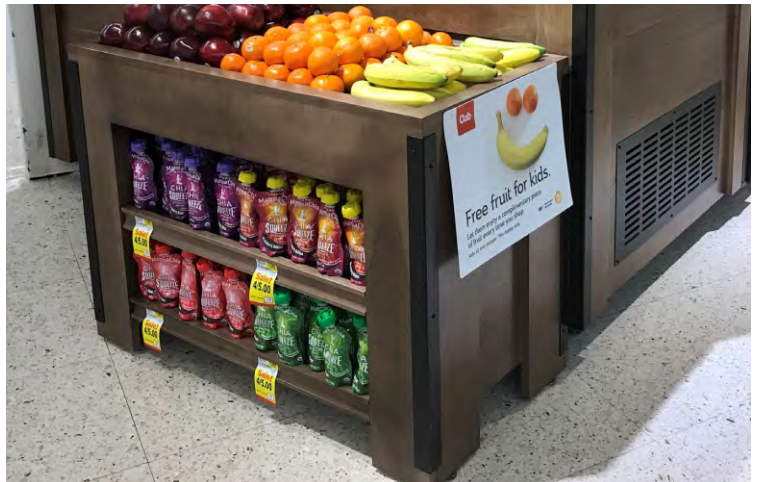




# DEL LAGO







# OBP-34882

**DWG# 34882**

**DIM: 36" X 36" X 33"**

- Orchard bin w/ foam pad
- (2X) Adjustable shelves
- Metal corner guards
- Price tag molding



## OBP-34878

**DWG# 34878 DIM: 36" X 36" X 25 3/4"**

- 135° Wedge front orchard bin w/ foam pad
- Metal corner guards



## OBP-34881

**DWG# 34881 DIM: 36" X 18" X 25 3/4"**

- Orchard bin w/ foam pad
- (2X) Adjustable shelves
- Metal corner guards & price tag molding



## OBP-36184

**DWG# 36184 DIM: 36" X 36" X 47"**

- 20° Slanted top bin w/ foam pad
- Two divided bins
- Metal corner guards



## OBP-36180

**DWG# 36180 DIM: 72" X 36" X 47"**

- Endcap w/ backboard
- 10" Plastic riser w/ two steps
- Metal corner guards



## OBP-34869

**DWG# 34869 DIM: 72" X 36" X 47"**

- Endcap w/ backboard & foam pad
- (4X) Adjustable shelves
- Metal corner guards & price tag molding



## OBP-35943

**DWG# 35943 DIM: 36" X 36" X 47"**

- 20° Slanted top bin w/ foam pad
- (2X) Adjustable shelves w/ price tag molding
- Two divided bins & metal corner guards



**RSR-50**

**DWG# 35085 DIM: 36" X 18" X 8"**

- Rectangle Pedestal w/ foam pad
- Use to create a multi-tier display



**RSR-49**

**DWG# 34871 DIM: 18" X 18" X 8"**

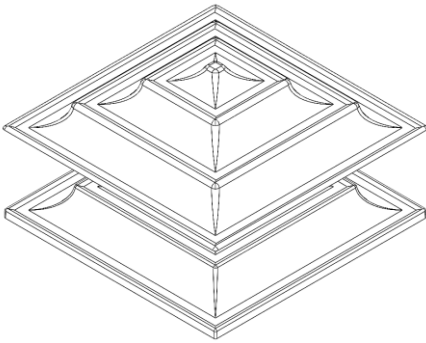
- Square pedestal w/ foam pad
- Use to create a multi-tier display



**RSR-48**

**DWG# 34870 DIM: 18" X 18" X 8"**

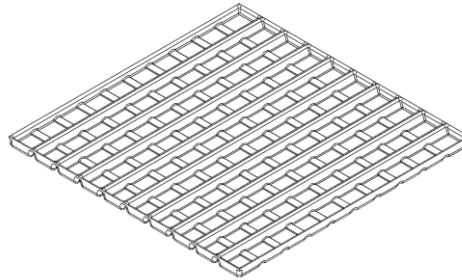
- 135° Wedge front pedestal w/ foam pad
- Use to create a multi-tier display



**BB-VEG-57 S**

**DWG# 15990 DIM: 36 1/2" X 36 1/2" X 10 1/4"**

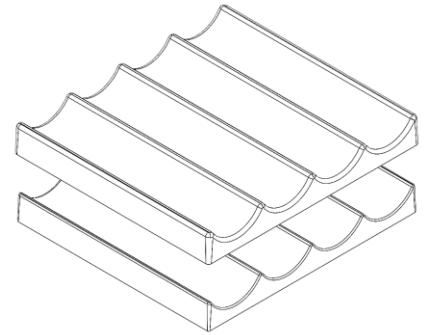
- Plastic riser & foam pad
- Fits 36" X 36" orchard bins
- Three steps w/ scoops



**BBG-33X33**

**DWG# 38820 DIM: 33" X 33" X 1 1/4"**

- Foam pad
- Gridded w/ 3" square pockets
- Various sizes available



**VEG-106 BA44/BB-106 BA44**

**DWG# 35274 DIM: 36" X 36" X 4"**

- Plastic riser w/ foam pad
- Fits 36" X 36" orchard bins w/ slanted top
- Center riser w/ liner available: DWG# 34937



**OBBR-001**

**DWG# 34872 DIM: 36" X 36" X 8"**

- Base riser w/ metal corner guards
  - Fits 36" X 36" orchard bins
- Use to create a multi-tier display

PRODUCE: DEL LAGO



**OBP-34877**

**DWG# 34877 DIM: 36" X 36" X 47"**

- 30° Slanted top bin w/ foam pad
- (2X) Adjustable shelves w/ price tag molding
- Left display w/ metal corner guard



**OBP-34876**

**DWG# 34876 DIM: 36" X 36" X 47"**

- 30° Slanted top bin w/ foam pad
- (2X) Adjustable shelves w/ price tag molding
- Center display



**OBP-34874**

**DWG# 34874 DIM: 36" X 36" X 47"**

- 30° Slanted top bin w/ foam pad
- (2X) Adjustable shelves w/ price tag molding
- Right display w/ metal corner guard



**OBP-36182**

**DWG# 36182 DIM: 36" X 36" X 47"**

- 30° Slanted top bin w/ foam pad
- Left display w/ metal corner guard



**OBP-36179**

**DWG# 36179 DIM: 36" X 36" X 47"**

- 30° Slanted top bin w/ foam pad
- Center display



**OBP-36181**

**DWG# 36181 DIM: 36" X 36" X 47"**

- 30° Slanted top bin w/ foam pad
- Right display w/ metal corner guard



**OB-35974**

**DWG# 35974 DIM: 36 13/16" X 36 13/16" X 33 1/4"**

- Orchard bin w/ insulated ice liner
  - 5 gallon bucket
  - Metal corner guards



**OBP-34957**

**DWG# 34957 DIM: 36" X 36" X 53 1/4"**

- Bulk bin w/ metal corner guards
- (4X) Clear acrylic bins: 16 3/4" X 16 3/4" X 10 1/2"
- (4X) Adjustable shelves w/ price tag molding



**OBP-34880**

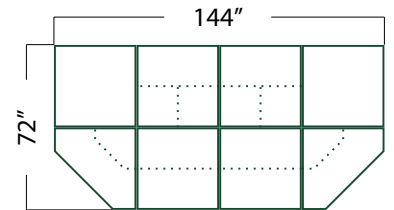
**DWG# 34880 DIM: 36" X 36" X 35 1/4"**

- Orchard bin w/ foam pad
  - Swivel casters
  - Metal corner guards



### DEL LAGO 1

(6X) 34882, (4X) 35085, (2X) 34871, (2X) 34878, (2X) 34870



### DEL LAGO 2

(2X) 34881, (2X) 34871, (2X) 34877, (4X) 34876, (2X) 34874, (1X) 36180

