

PRODUCE

DEPARTMENT SHOWCASE



MARCO

The Marco Company story began with two brothers, Darrell Sr. and David Cooper, and their vision of establishing a company that would provide innovative merchandising solutions for the retail industry. In 1984, The Cooper brothers, along with their wives, various family members and a 5,000 square foot building, made their vision a reality in Fort Worth, Texas.

Through determination and perseverance, the Coopers founded The Marco Company and saw their dream begin to take shape. Within four years, the company had growth to 33 employees and occupied over 10,000 square feet of manufacturing space. The growth experienced by The Marco Company has continued, not only in manufacturing space and employee count, but also in expanded capabilities with a widened scope of industry segments served.

After 35 years of growth and success, The Marco Company now includes over 500 employees and over 1 million square feet of manufacturing and warehouse space. Marco remains family-owned and operated, and continues to fulfill the vision of the Cooper brothers by proudly serving the retail industry with innovative merchandising solutions.

Floral & Wine

According to PMA and FMI's research, the supermarket floral operation generates 1.5% of total sales with a gross margin of 44%, while wine's climb from 30-50%. With these high profits, it is crucial to keep these departments fresh and updated. The Marco Company offers a variety of floral and wine displays value engineered to achieve the highest return on investment.

sources: pma.com & azcentral.com

THE COOPER BROTHERS



DARRELL COOPER SR. (LEFT) - DAVID COOPER (RIGHT)

MISSION STATEMENT

Through teamwork, leadership and service, we create value for our customers by manufacturing the finest and most innovative display products.

FEATURED SERIES

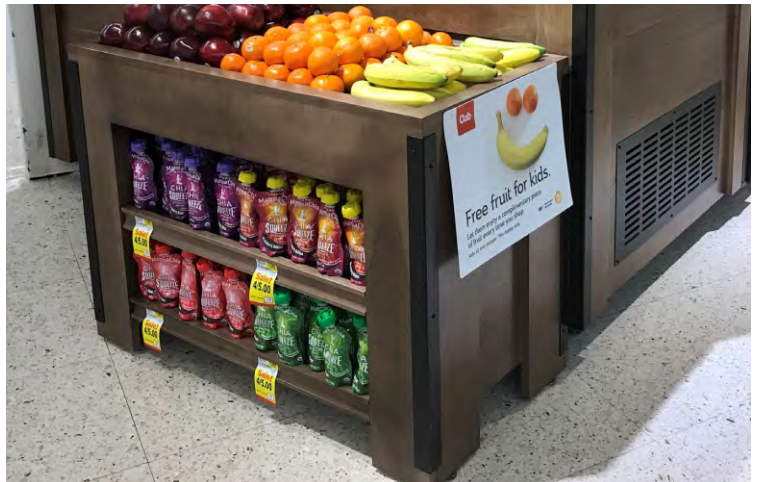
Del Lago	04-09
Market Street	10-15
Stax	16-19
EcoXpress	20-23
OCT Display	24-29

PRODUCE

Orchard Bin	30-32
Display Bin	33-36
Euro Table	37
Banana Display	38
Riser	39
Display Tray	40-41
Universal Accessories	42-43
Finishes & Warranty	44-45



DEL LAGO







OBP-34882

DWG# 34882

DIM: 36" X 36" X 33"

- Orchard bin w/ foam pad
- (2X) Adjustable shelves
- Metal corner guards
- Price tag molding



OBP-34878

DWG# 34878 DIM: 36" X 36" X 25 3/4"

- 135° Wedge front orchard bin w/ foam pad
- Metal corner guards



OBP-34881

DWG# 34881 DIM: 36" X 18" X 25 3/4"

- Orchard bin w/ foam pad
- (2X) Adjustable shelves
- Metal corner guards & price tag molding



OBP-36184

DWG# 36184 DIM: 36" X 36" X 47"

- 20° Slanted top bin w/ foam pad
- Two divided bins
- Metal corner guards



OBP-36180

DWG# 36180 DIM: 72" X 36" X 47"

- Endcap w/ backboard
- 10" Plastic riser w/ two steps
- Metal corner guards



OBP-34869

DWG# 34869 DIM: 72" X 36" X 47"

- Endcap w/ backboard & foam pad
- (4X) Adjustable shelves
- Metal corner guards & price tag molding



OBP-35943

DWG# 35943 DIM: 36" X 36" X 47"

- 20° Slanted top bin w/ foam pad
- (2X) Adjustable shelves w/ price tag molding
- Two divided bins & metal corner guards



RSR-50

DWG# 35085 DIM: 36" X 18" X 8"

- Rectangle Pedestal w/ foam pad
- Use to create a multi-tier display



RSR-49

DWG# 34871 DIM: 18" X 18" X 8"

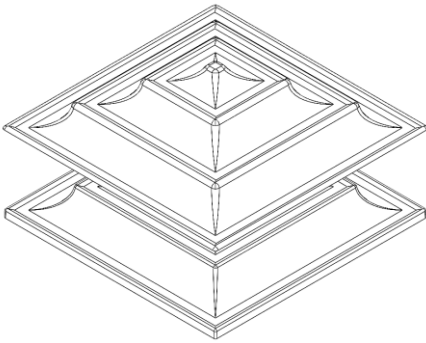
- Square pedestal w/ foam pad
- Use to create a multi-tier display



RSR-48

DWG# 34870 DIM: 18" X 18" X 8"

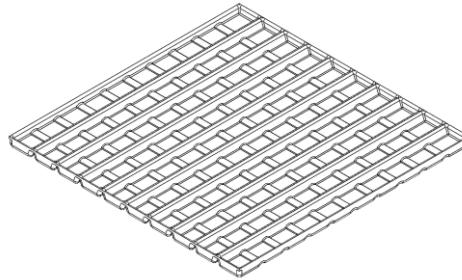
- 135° Wedge front pedestal w/ foam pad
- Use to create a multi-tier display



BB-VEG-57 S

DWG# 15990 DIM: 36 1/2" X 36 1/2" X 10 1/4"

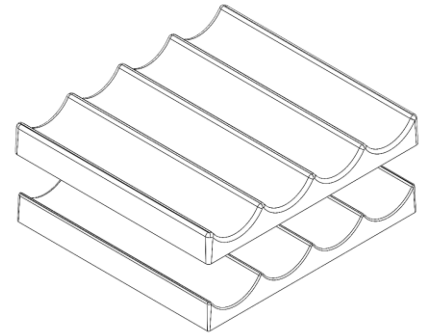
- Plastic riser & foam pad
- Fits 36" X 36" orchard bins
- Three steps w/ scoops



BBG-33X33

DWG# 38820 DIM: 33" X 33" X 1 1/4"

- Foam pad
- Gridded w/ 3" square pockets
- Various sizes available



VEG-106 BA44/BB-106 BA44

DWG# 35274 DIM: 36" X 36" X 4"

- Plastic riser w/ foam pad
- Fits 36" X 36" orchard bins w/ slanted top
- Center riser w/ liner available: DWG# 34937



OBBR-001

DWG# 34872 DIM: 36" X 36" X 8"

- Base riser w/ metal corner guards
- Fits 36" X 36" orchard bins
- Use to create a multi-tier display



ROB-35845

DWG# 35845 DIM: 53 7/8" X 35 9/16" X 50 13/16"

- 115 V | 20 A | 6.5 CFT
- Plug & play, 3" swivel casters, auto-defrost
- Optional shelves & risers



ROB-35993

DWG# 35993 DIM: 72 1/2" X 72 1/2" X 43 3/8"

- 230 V | 14 A | 24 CFT
- Plug & play, 3" swivel casters, auto-defrost

PRODUCE: DEL LAGO



OBP-34877

DWG# 34877 DIM: 36" X 36" X 47"

- 30° Slanted top bin w/ foam pad
- (2X) Adjustable shelves w/ price tag molding
- Left display w/ metal corner guard



OBP-34876

DWG# 34876 DIM: 36" X 36" X 47"

- 30° Slanted top bin w/ foam pad
- (2X) Adjustable shelves w/ price tag molding
- Center display



OBP-34874

DWG# 34874 DIM: 36" X 36" X 47"

- 30° Slanted top bin w/ foam pad
- (2X) Adjustable shelves w/ price tag molding
- Right display w/ metal corner guard



OBP-36182

DWG# 36182 DIM: 36" X 36" X 47"

- 30° Slanted top bin w/ foam pad
- Left display w/ metal corner guard



OBP-36179

DWG# 36179 DIM: 36" X 36" X 47"

- 30° Slanted top bin w/ foam pad
- Center display



OBP-36181

DWG# 36181 DIM: 36" X 36" X 47"

- 30° Slanted top bin w/ foam pad
- Right display w/ metal corner guard



OB-35974

DWG# 35974 DIM: 36 13/16" X 36 13/16" X 33 1/4"

- Orchard bin w/ insulated ice liner
 - 5 gallon bucket
 - Metal corner guards



OBP-34957

DWG# 34957 DIM: 36" X 36" X 53 1/4"

- Bulk bin w/ metal corner guards
- (4X) Clear acrylic bins: 16 3/4" X 16 3/4" X 10 1/2"
- (4X) Adjustable shelves w/ price tag molding



OBP-34880

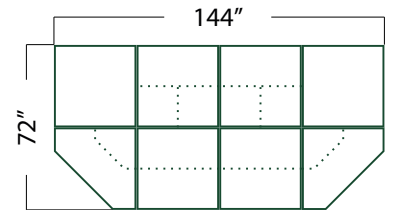
DWG# 34880 DIM: 36" X 36" X 35 1/4"

- Orchard bin w/ foam pad
 - Swivel casters
 - Metal corner guards



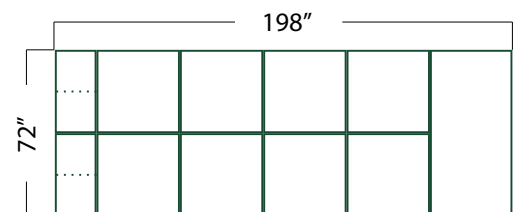
DEL LAGO 1

(6X) 34882, (4X) 35085, (2X) 34871, (2X) 34878, (2X) 34870



DEL LAGO 2

(2X) 34881, (2X) 34871, (2X) 34877, (4X) 34876, (2X) 34874, (1X) 36180





MARKET STREET





OBP-363631



DWG# 37636
DIM: 36" X 36" X 31 1/4"

- Square orchard bin
- (2X) Adjustable shelves on two sides
- Metal corner guards & brackets
- Tray & various plastic liners available



OBP-24220
DWG# 24220 DIM: 36" X 36" X 31 1/4"

- Square orchard bin w/ adjustable shelf
- Metal corner guards & brackets
- Tray & various plastic liners available



OB-363631 O
DWG# 17310 DIM: 36" X 36" X 31 1/4"

- Square orchard bin
- Metal corner guards & brackets
- Tray & various plastic liners available



OB-361425
DWG# 17313 DIM: 36" X 14" X 25 1/4"

- Rectangular orchard bin w/ adjustable shelf
- Metal corner guards & brackets
- Tray available: DWG# 17314



OBP-37402
DWG# 37402 DIM: 36" X 36" X 44 1/4"

- Bulk orchard bin w/ top shelf
- Metal corner guards & brackets



OBP-37467
DWG# 37467 DIM: 36" X 36" X 44 1/4"

- Bulk orchard bin w/ top shelf
- Metal corner guards & brackets



KR4205 O
DWG# 27496 DIM: 36" X 14" X 37 5/8"

- Orchard bin w/ insulated ice liner
- Metal corner guards & corner brackets
- 25" Tall available: DWG# 28169



OBP-38850

DWG# 38850 DIM: 36" X 36" X 26"

- 135° Wedge front orchard bin
- Top tray w/ plastic liner
- Metal corner guards & corner brackets



OB-363631 QR

DWG# 22745 DIM: 36" X 36" X 31 1/4"

- Quarter round front bin
- Top tray w/ABS plastic liner
- Metal corner guards & corner brackets



OB-363611

DWG# 17312 DIM: 36" X 36" X 11 1/8"

- Base riser w/ metal corner guards & brackets
- Fits 36" X 36" orchard bins
- 6" Tall available: DWG# 23993



OB-TRAY

DWG# 17309 DIM: 18" X 18" X 5 3/4"+

- Adjustable pedestal w/ plastic liner
- Powder coated metal base
- Use to create a multi-tiered display



OB-TRAY 3636

DWG# 17311 DIM: 36" X 36" X 2 1/4"

- Top tray w/ plastic liner
- Fits 36" X 36" orchard bins
- Use to create a multi-tiered display



OB-TRAY 3614

DWG# 17314 DIM: 36" X 14" X 2 1/4"

- Top tray w/ plastic liner
- Fits 36 X 14" orchard bins
- Use to create a multi-tiered display



ROB-36146

DWG# 36146 DIM: 96" X 36 5/16" X 50 13/16"

- 230V | 14 A | 19 CFT
- Plug & play, locking casters, auto defrost
- Optional shelves & risers



KR 36627

DWG# 36627 DIM: 72 3/16" X 72 3/16" X 46 9/16"

- 230V | 21 A | 11 CFT
- Plug & play, 3" swivel casters, auto-defrost

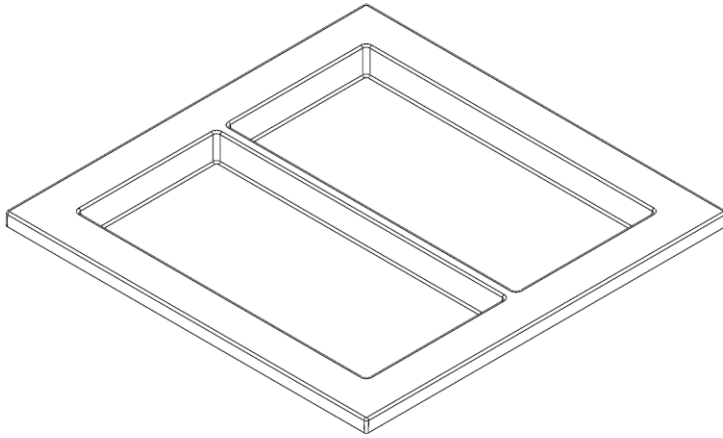


ROB-36500

DWG#: 36500 DIM: 48 1/4" X 48 1/4" X 43"

- 115V | 15 A | 6.9 CFT
- Plug & play, 3" swivel casters, auto-defrost

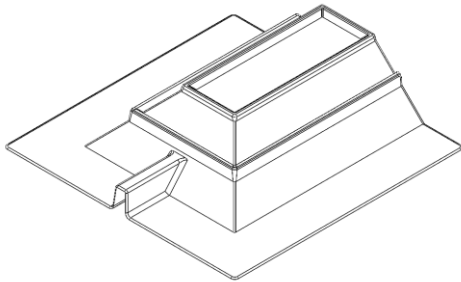
OBV-01 L



DWG# 11246

DIM: 36 3/8" X 36 3/8" X 2 1/2"

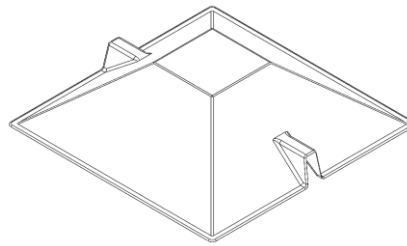
- Divided plastic liner
- Fits 36" X 36" orchard bins
- Optional riser available: DWG# 20436
- Optional riser available: DWG# 11247



OBV-01 RI3

DWG# 20436 DIM: 28 15/32" X 28 5/8" X 6 5/8"

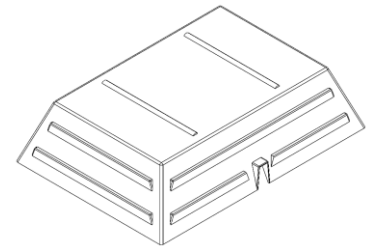
- Plastic riser w/ center ridge
- Fits 36" X 36" divided plastic liners
- Use to create a multi-tiered display



OBV-01 RI

DWG# 11247 DIM: 21 13/16" X 21 13/16" X 5 23/32"

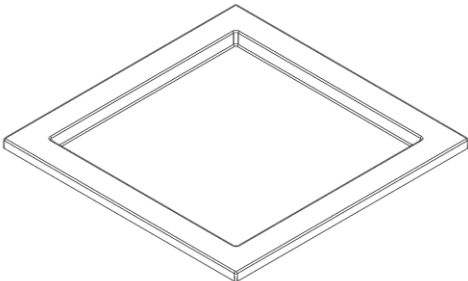
- Plastic riser w/ center ridge
- Fits 36" X 36" divided plastic liners
- Use to create a multi-tiered display



VEG-39 D

DWG# 5000 DIM: 27 3/4" X 19 3/4" X 7"

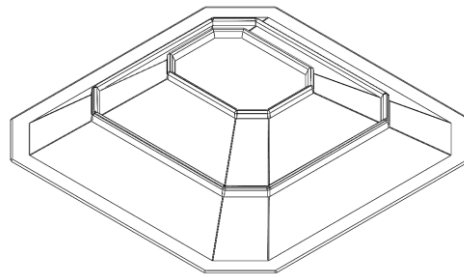
- Plastic riser w/ center ridge
- Fits 50" X 42" divided plastic liners



OBV-01 L3

DWG# 24532 DIM: 36 3/8" X 36 3/8" X 1 3/4"

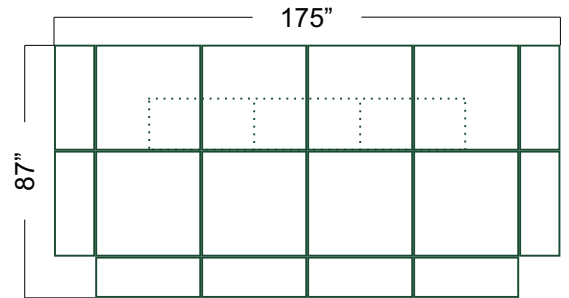
- Plastic liner
- Fits 36" X 36" orchard bins
- 6 11/16" Riser available: DWG# 17862



OB RISR 29X29X6

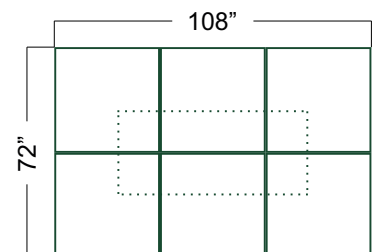
DWG# 17862 DIM: 29" X 29" X 6 11/16"

- Plastic riser w/ two slope steps
- Fits 36" X 36" plastic liners
- Use to create a multi-tiered display



MARKET STREET 1

(8X) 17313, (8X) 17314, (8X) 24220, (8X) 17311, (6X) 17309, (2X) 23993



MARKET STREET 2

(4X) 37636, (4X) 17309, (2X) 37467



STAX





STAX-TBL02 O

DWG# 14026 DIM: 30 1/4" X 30 1/4" X 24"

- Round table w/ 1 1/2" deep plastic liner
- Plastic liner w/ drain available: DWG# 14036
- Plastic riser available: DWG# 27662



STAX-TBL01 O

DWG# 14025 DIM: 36 1/4" X 36 1/4" X 32"

- Round table w/ 1 1/2" deep plastic liner
- Two swivel shelves
- Plastic riser available: DWG# 27661



STAX-TBL03 O

DWG# 14604 DIM: 42 1/4" X 42 1/4" X 38"

- Round table w/ 1 1/2" deep plastic liner
- Two swivel shelves
- Plastic risers available: DWG# 15345 & 14749



PED-RSR 001 O

DWG# 18639 DIM: 18" X 18" X 5"

- Round pedestal w/ 2" deep plastic liner
- Sits on any flat surface



PED-RSR RND 120

DWG# 17264 DIM: 18" X 18" X 12 1/4"

- Round pedestal
- 2" Deep plastic liner available: DWG# 17118
- Sits on any flat surface



PED-RSR RND O

DWG# 16744 DIM: 18" X 18" X 18 1/4"

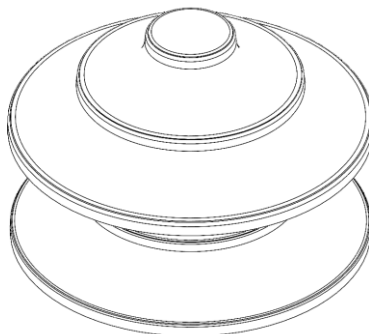
- Round pedestal
- 2" Deep plastic liner available: DWG# 17118
- Sits on any flat surface



STAX-02 BAN

DWG# 27662 DIM: 30 5/16" X 30 5/16" X 12"

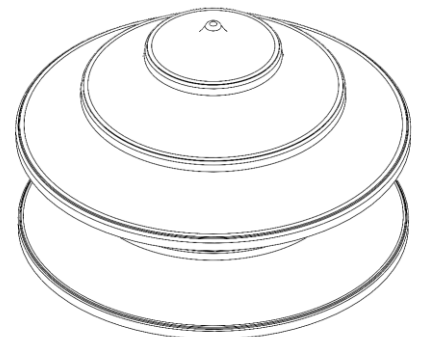
- Plastic riser w/ foam pad
- Fits 30" round tables
- Two steps w/ scoops



STAX-01 BAN

DWG# 27661 DIM: 36 7/16" X 36 7/16" X 12"

- Plastic riser w/ foam pad
- Fits 36" round tables
- Two steps w/ scoops

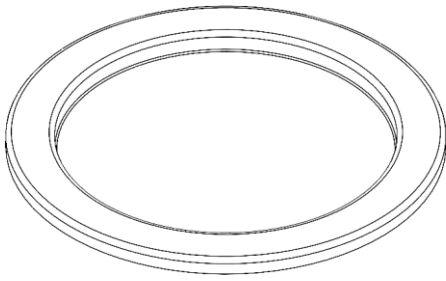


STAX-03 BAN

DWG# 14749 DIM: 42 1/2" X 42 1/2" X 16 5/16"

- Plastic riser w/ foam pad
- Fits 42" round tables
- Three steps w/ scoops

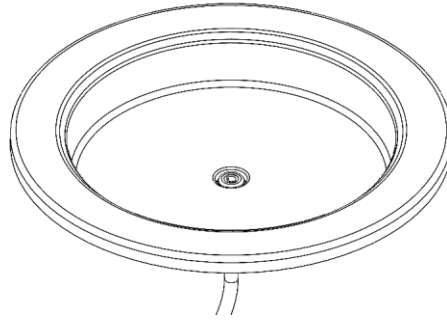
PRODUCE: STAX



STAX-LNR02-1

DWG# 14035 DIM: 30 3/8" X 30 3/8" X 1 1/2"

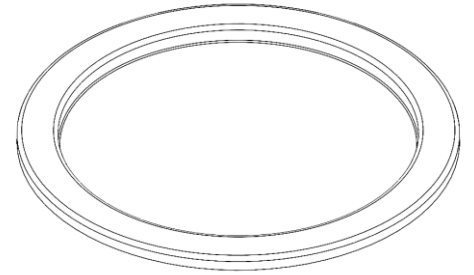
- Plastic liner
- Fits 30" round tables



STAX-LNR02-2

DWG# 14036 DIM: 30 3/8" X 30 3/8" X 4"

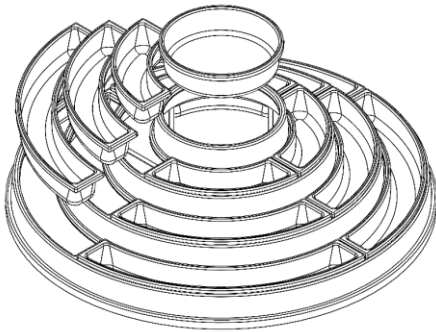
- Plastic liner w/ drain system
- Fits 30" round tables



STAX-LNR01-1

DWG# 14034 DIM: 36 3/8" X 36 3/8" X 1 1/2"

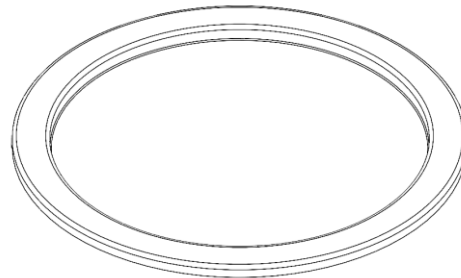
- Plastic liner
- Fits 36" round tables



STAX-03 ASP

DWG# 15345 DIM: 42 1/2" X 42 1/2" X 12"

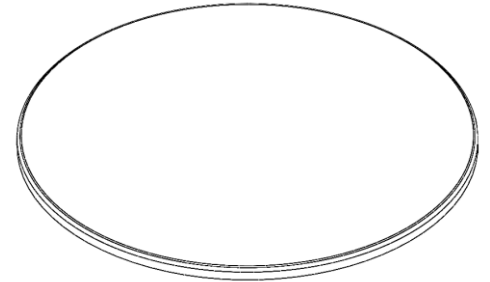
- Plastic riser
- Fits 42" round tables
- Three steps w/ (13X) removable trays



STAX-LNR03-1

DWG# 15777 DIM: 42 7/16" X 42 7/16" X 1 1/2"

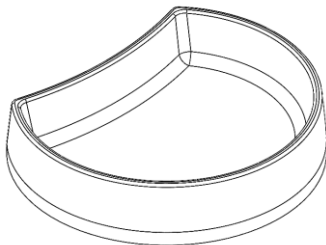
- Plastic liner
- Fits 42" round tables



STAX-LNR03-3

DWG# 15352 DIM: 42 7/16" X 42 7/16" X 1 1/8"

- Plastic liner
- Fits 42" round tables



STAX-SSB01

DWG# 18540 DIM: 18 1/16" X 15 7/32" X 4"

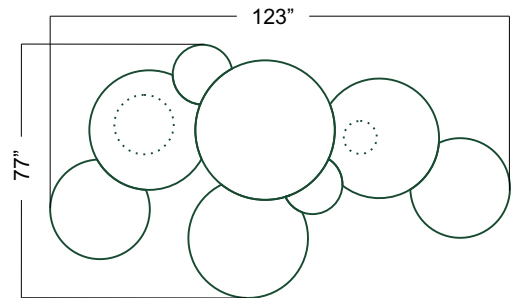
- Plastic pocket
- Fits swivel shelves on DWG#s 14604 & 14025



SH-97

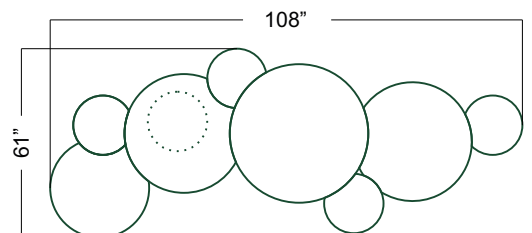
DWG# 18638 DIM: 10" X 10" X 25 1/2"

- Curve top sign holder
- Powder coated metal frame
- Expanded metal center



CONCEPT 1

(3X) 14025, (2X) 14026, (1X) 18639, (1X) 14604, (1X) 14749, (1X) 18638



CONCEPT 2

(1X) 14026, (2X) 14025, (1X) 18639, (1X) 14604, (1X) 14749



ECOXPRESS





DRY-SHF 07 BV



DWG# 28165
DIM: 75 1/4" X 36 3/8" X 53 3/4"

- Three tier display w/ adjustable shelves
 - Bag holder & fits (7X) lugs
 - (2X) Shelves w/ plastic risers
- Lugs sold separately: DWG#s 5737 & 5738



DRY-SHF 08 BV
DWG# 27684 DIM: 48" X 72" X 53 3/4"

- Starter module fits (12X) lugs
 - (4X) Adjustable shelves
- Lugs sold separately: DWG#s 5737 & 5738



DRY-SHF 09 BV
DWG# 28284 DIM: 48" X 72" X 53 3/4"

- Add-on module fits (12X) lugs
 - (4X) Adjustable shelves
- Lugs sold separately: DWG#s 5737 & 5738



MET-POTCART2
DWG# 27733 DIM: 34 1/6" X 29 1/4" X 22"

- Bulk cart w/ bumper guard
 - (4X) 3" Swivel casters



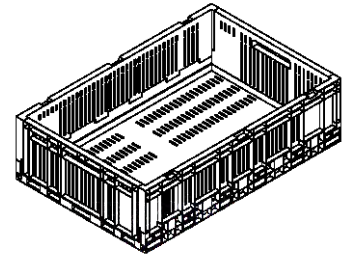
DRY-SHF 10 BV
DWG# 28285 DIM: 48" X 72" X 53 3/4"

- Starter module fits (9X) lugs
 - (3X) Adjustable shelves & (2X) carts
- Lugs sold separately: DWG#s 5737 & 5738



DRY-SHF 11 BV
DWG# 28246 DIM: 48" X 72" X 53 3/4"

- Add-on module fits (9X) lugs
 - (3X) Adjustable shelves & (2X) carts
- Lugs sold separately: DWG#s 5737 & 5738



CL-LUG 002
DWG# 5738 DIM: 23 5/8" X 15 5/8" X 6 1/2"

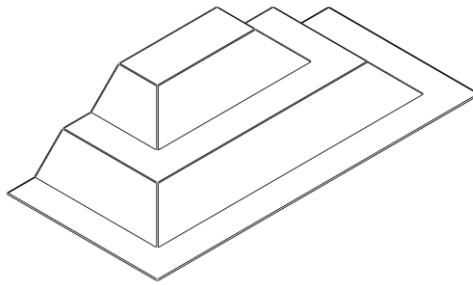
- Collapsible plastic lug
 - Handle cutouts on two sides
 - 4 1/2" Height available: DWG# 5737



EX-EC-01

DWG# 37865 DIM: 72" X 35 7/8" X 54 1/16"

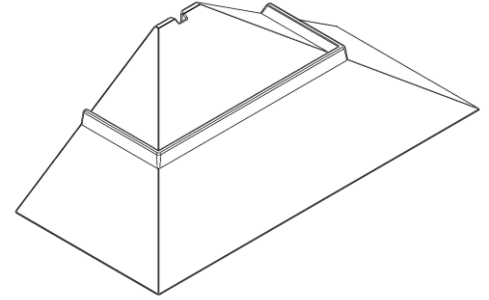
- Endcap w/ (2X) adjustable shelves
- (2X) removable side panels & sign hooks
- Various plastic risers available: pg. 25



EC-327

DWG# 28127 DIM: 69" X 32 3/8" X 12 1/8"

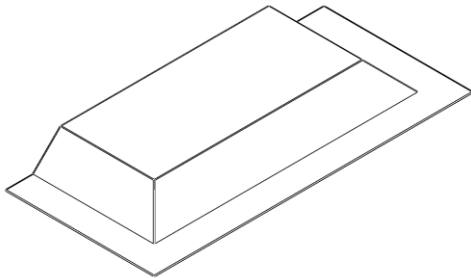
- Plastic riser
- Fits 72" X 36" rectangular displays
- Two steps w/ slopes



EC-237

DWG# 7551 DIM: 70 3/8" X 31 1/2" X 20"

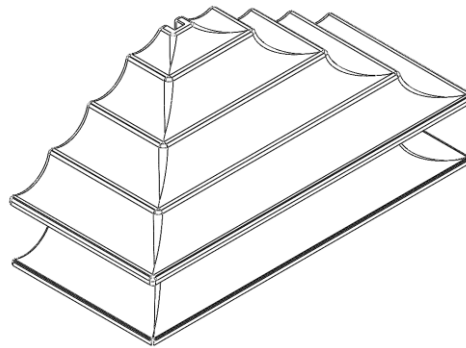
- Plastic riser w/ product stop
- Fits 72" X 36" rectangular displays
- Two steps w/ slope



EC-326

DWG# 28126 DIM: 69" X 32 3/8" X 6 1/8"

- Plastic riser w/ slope
- Fits 72" X 36" rectangular displays



EC-237 BAN

DWG# 10363 DIM: 69 5/8" X 30 3/4" X 16 9/16"

- Plastic riser w/ foam pad
- Fits 72" X 36" rectangular displays
- Four steps w/ scoops



TM UPRIGHT DISPLAY CASE

TM# 200-4V DIM: 50 1/4" X 38 1/2" X 83"

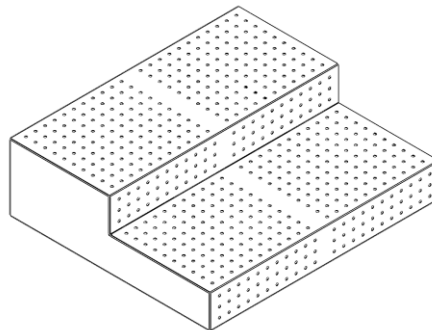
- 240 V | 4.9 A | 30.59 CFT
- Self-evaporative, no drains or pipework
- Choice of end panels & doors available



ROB-36483 LGY

DWG# 36483 DIM: 76 7/8" X 48 5/32" X 42 1/8"

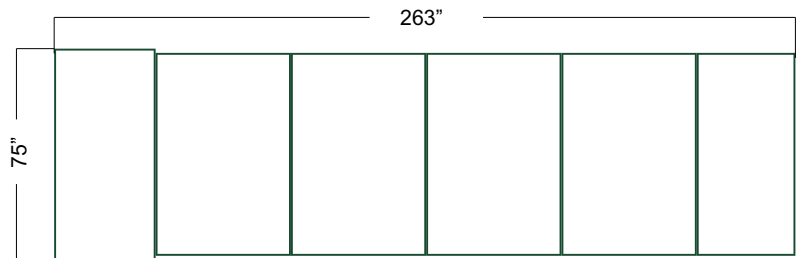
- 230V | 12 A | 12.3 CFT
- Plug & play, locking casters, auto-defrost
- Optional shelves & risers



MTLRSR-40044

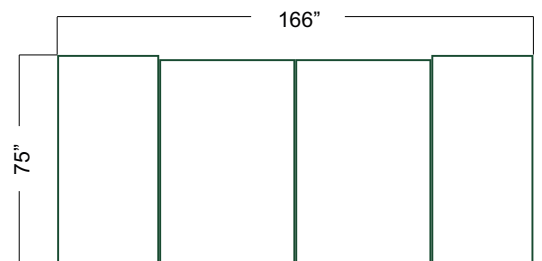
DWG# 40044 DIM: 24" X 21" X 7"

- 20 G galvanized steel
- Perforated w/ two steps
- Fits DWG# 36483



CONCEPT 1

(1X) 28165, (1X) 27684, (1X) 28284, (1X) 28285, (1X) 37865



CONCEPT 2

(1X) 37865, (1X) 10363, (1X) 27684, (1X) 28285, (1X) 37865

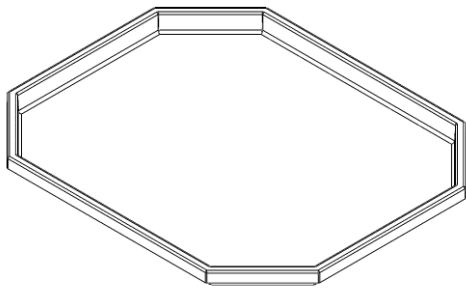


OCT DISPLAY





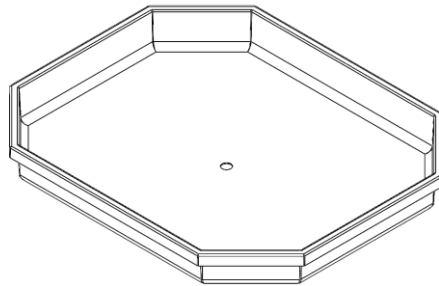
PRODUCE: OCT DISPLAY



OCT-40X47X25

DWG# 10421 DIM: 47 1/8" X 39 1/4" X 2 1/2"

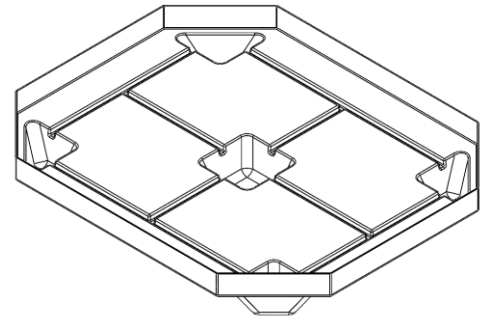
- Plastic liner
- Fits 40" X 47" octagonal display sleeves
- 5" Deep plastic liner available: DWG# 0983



OCT-40X47X5

DWG# 0983 DIM: 47 1/8" X 39 1/4" X 5"

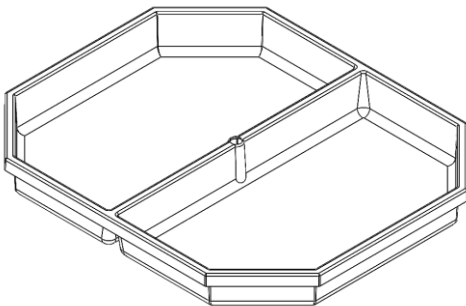
- Plastic liner
- Fits 40" X 47" octagonal display sleeves
- 2 1/2" Deep plastic liner available: DWG# 10421



OCTPB-40X47

DWG# 0995 DIM: 47" X 39" X 7"

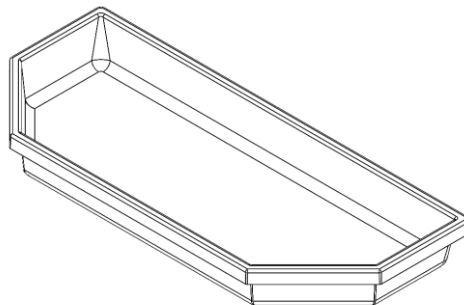
- Plastic base
- Fits 40" X 47" octagonal display sleeves



OCT-40X47X5B

DWG# 1280 DIM: 47 1/8" X 39 1/4" X 5"

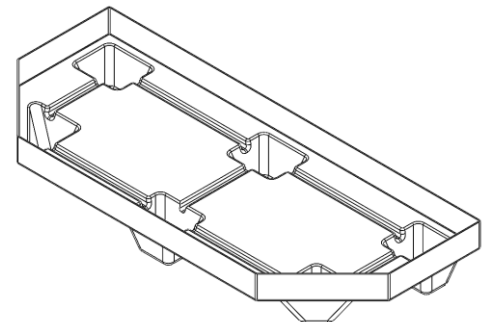
- Plastic liner w/ divider
- Fits 40" X 47" octagonal display sleeves
- Center cut out for optional bag holder



OCT-20X47X5

DWG# 6873 DIM: 46 1/16" X 20 1/16" X 5"

- Plastic liner
- Fits 20" X 47" octagonal display sleeves



OCTPB-20X47

DWG# 6873 DIM: 47" X 20" X 7"

- Plastic base
- Fits 20" X 47" octagonal display sleeves



OCT-OAK 40X47

DWG# 16515 DIM: 47 1/16" X 39" X 32 1/4"

- 5" Deep plastic liner & plastic base
- Slant plank wood sleeve
- Plain wood sleeve available: DWG# 21219



ICE-BIN 03 GAL

DWG# 31125 DIM: 46 1/2" X 38 1/2" X 38"

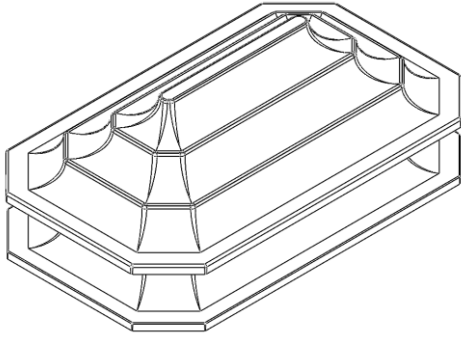
- 5" Deep plastic ice liner w/ drain system
- Galvanized metal sleeve & plastic base
- Sign holder



OCT-OAK 20X47

DWG# 16516 DIM: 46 7/8" X 20" X 32 1/4"

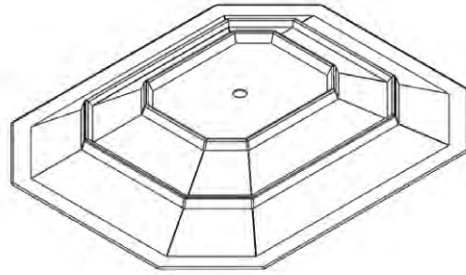
- 5" Deep plastic liner & plastic base
- Slant plank wood sleeve
- Cardboard sleeve available: DWG# 20348



OCT-4780 BAN

DWG# 15658 DIM: 79 1/8" X 47 3/4" X 17 5/8"

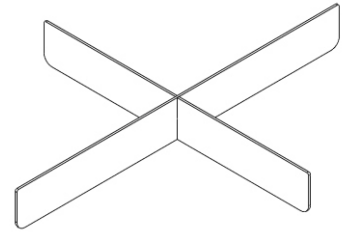
- Plastic riser w/ foam pad
- Fits on top (2X) 40" X 47" octagonal displays
- Three steps w/ scoops



OCT-40X47 RI2

DWG# 17156 DIM: 43 1/8" X 35 1/8" X 6 1/8"

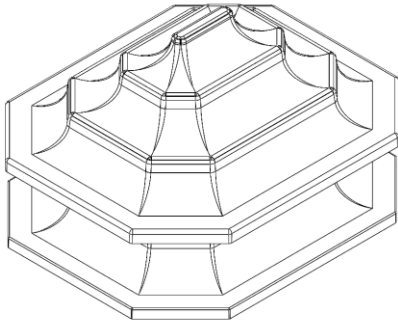
- Fits 40" X 47" octagonal display liners
- Center cut out for optional bag holder
- 4" Top bin divider available: DWG# 4655



OCT-40X47XD

DWG# 15594 DIM: 44 3/4" X 36 3/4" X 5"

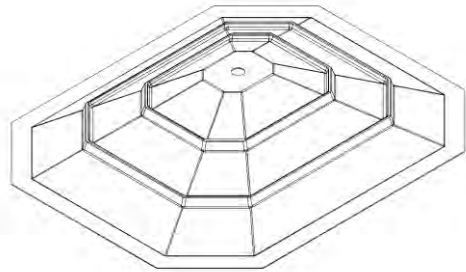
- Plastic divider
- Fits 40" X 47" octagonal display liners



OCT-4047 BAN

DWG# 16888 DIM: 47 3/4" X 40" X 16 5/8"

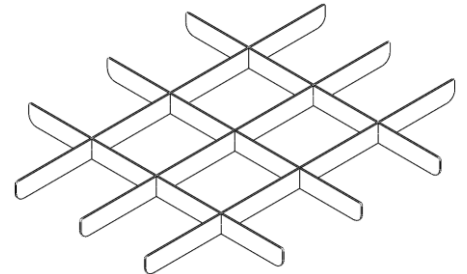
- Plastic riser w/ foam pad
- Fits on top (1X) 40" X 47" octagonal display
- Three steps w/ scoops



OCT-40X47 RI

DWG# 1278 DIM: 43 5/8" X 35 5/8" X 8"

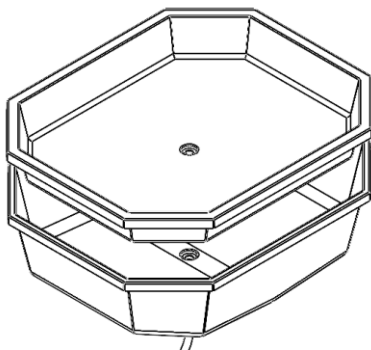
- Plastic riser
- Fits 40" X 47" octagonal display liners
- Center cut out for optional bag holder



OCT-GRID

DWG# 16758 DIM: 44 3/4" X 36 3/4" X 2 1/2"

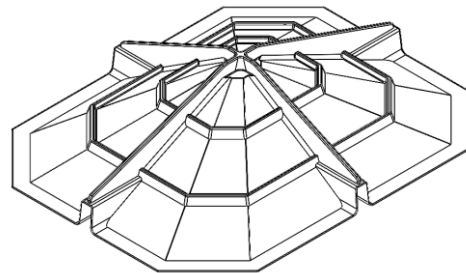
- Plastic divider
- Fits 40" X 47" octagonal display liners



OCT-40X47LR

DWG# 18965 DIM: 47 1/16" X 39 3/16" X 5 7/8"

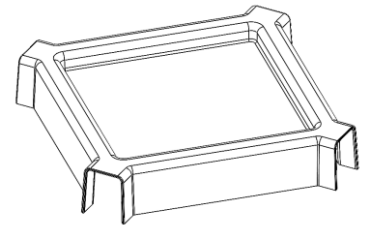
- Plastic liner w/ reservoir & drain system
- Fits 40" X 47" octagonal display sleeves



OCT-4X RI

DWG# 15326 DIM: 74 1/2" X 58 3/4" X 17 5/8"

- Plastic riser
- Fits (4X) 40" X 47" octagonal displays

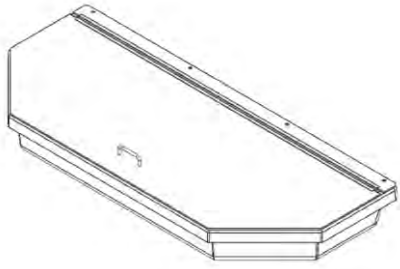


OCTSC-40X47

DWG# 1279 DIM: 15 1/8" X 15 1/8" X 3"

- Plastic seam cover
- Joins (4X) 40" X 47" octagonal display liners
- 1 3/4" tall 16 G metal available: DWG# 31969

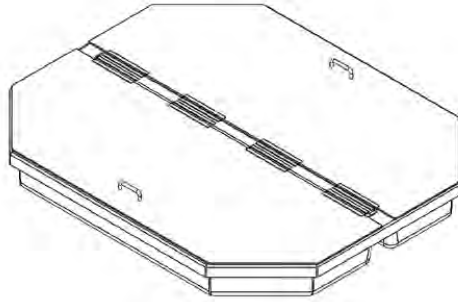
PRODUCE: OCT DISPLAY



OCT-PL1

DWG# 14983 DIM: 47 1/8" X 20 1/16" X 5"

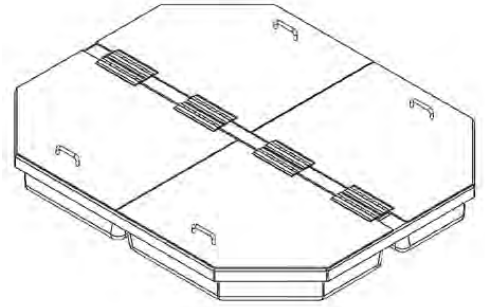
- Plastic liner
- Fits any octagonal display sleeve
- Pocket w/ clear lid



OCT-PL2

DWG# 3751 DIM: 47 1/8" X 39 1/4" X 5"

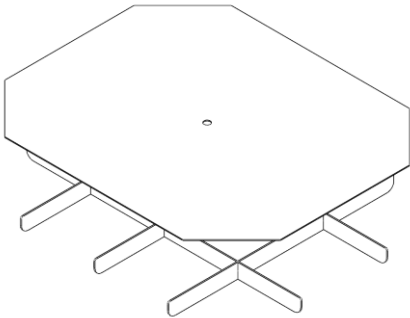
- Plastic liner
- Fits 40" X 47" octagonal display sleeves
- Two pockets w/ clear lids



OCT-PL4

DWG# 3752 DIM: 47 1/8" X 39 1/4" X 5"

- Plastic liner
- Fits 40" X 47" octagonal display sleeves
- Four pockets w/ clear lids



OCT-FB25

DWG# 15657 DIM: 44 3/4" X 36 3/4" X 2 1/2"

- Plastic false bottom w/ support grid
- Fits 40" X 47" octagonal display liners
- Center cut out for optional bag holder



OCTBH-40X47

DWG# 1281 DIM: 12" X 12" X 60 1/4"

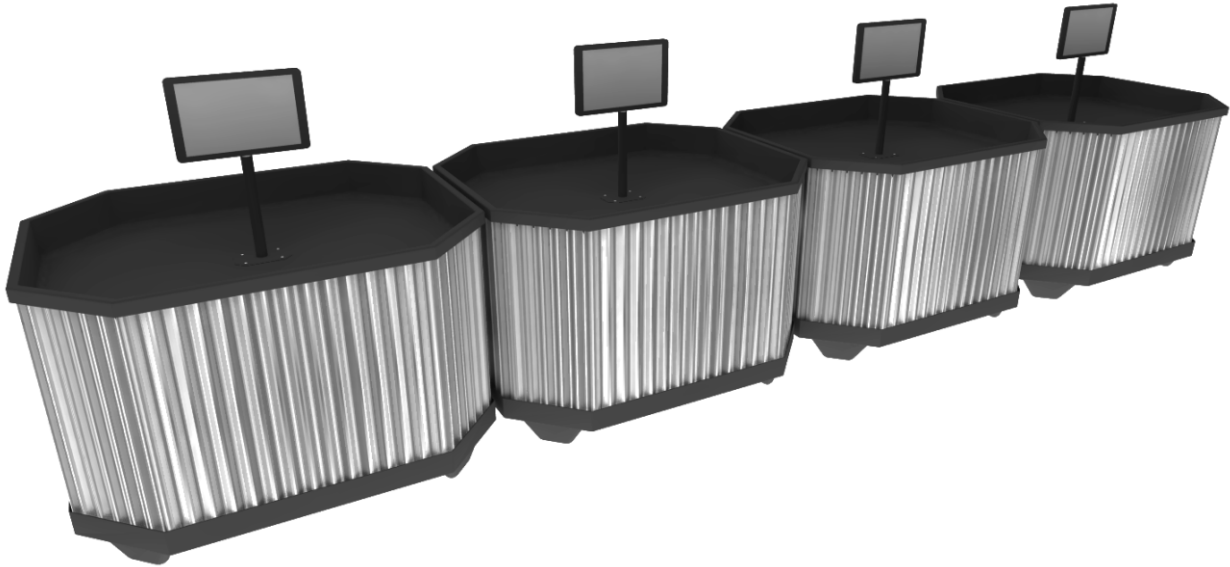
- Standing bag holder
- 16 G metal w/ 1/4" base plate
- Fits through center of octagonal displays



OCT-CHIP

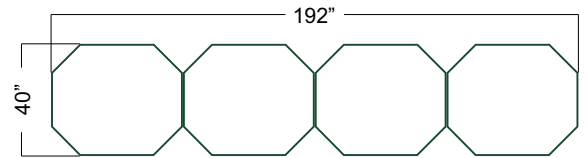
DWG# 11280 DIM: 47 1/8" X 39 1/4" X 5"

- 5" Deep plastic liner
- Wire shelf & melamine base
- Price tag molding



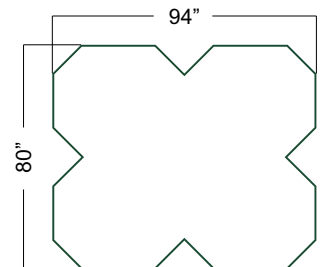
CONCEPT 1

(4X) 10573



CONCEPT 2

(4X) 21219, (1X) 16890, (1X) 15326





PRODUCE





OBS-CLS O

DWG# 3098 DIM: 36 5/16" X 36 5/16" X 32 3/8"

- Display w/ 2 1/2" deep divided plastic liner
- Storage door on one side & 3" swivel casters
- 6" Wet liner available: DWG# 7853



OBS-CLS SHLF 2S

DWG# 2596 DIM: 36 5/16" X 36 5/16" X 32 3/8"

- Display w/ 2 1/2" deep divided plastic liner
- Adjustable shelf on two sides
- 6" Deep liner available: DWG# 18267



OB-24295

DWG# 24295 DIM: 36 7/16" X 36 7/16" X 33 5/16"

- Display w/ 5" deep plastic liner
- Adjustable shelf w/ price tag molding
- Metal leg caps & metal pallet guards



OBA-CLS O2S

DWG# 2391 DIM: 48 1/2" X 48 1/2" X 33 1/4"

- Display w/ 2 1/2" deep divided plastic liner
- Adjustable shelf on two sides & 3" casters
- 12" Wet liner available: DWG# 7644



VEG-OBA P

DWG# 2405 DIM: 48 1/2" X 48 1/2" X 32 1/2"

- Display w/ 2 1/2" deep divided plastic liner
- 6" Deep plastic liner available: DWG# 17873
- 12" Wet liner available: DWG# 7644



OBA-CLS O

DWG# 1646 DIM: 48 1/2" X 48 1/2" X 32 1/2"

- Display w/ 2 1/2" deep divided plastic liner
- Storage door & optional bag holder
- 3" Swivel casters

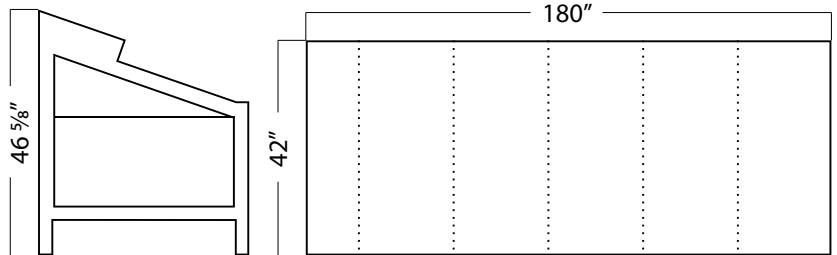


METOBP-363633

DWG# 20517 DIM: 37 15/16" X 37 15/16" X 33 27/32"

- Metal display w/ 3" & 8" deep plastic liners
- Adjustable shelf & fixed shelf
- (8X) S hooks w/ sign track

Bulky Business



DIMENSIONS & SPECS

OBP-28985

- Plastic liners & foam pads
- (15X) Adjustable/ removable dividers
- (9X) Removable clear front guard
- Two false front panels to hide storage
- Corner guards, corner brackets & bumpers

DWG#	Dimensions	Use
28985	100" X 40" X 46 5/8"	Packaged bulk Fruits Vegetables
Materials	Hardware	Orientation
Red Oak Plastic & foam Melamine	Clear front guard Dividers Corner guards	One-sided In-line Back to back



DUMP-BIN-40237
DWG# 40237 DIM: 24" X 24" X 33"

- Display bin w/ plastic liner
- Clear front guards & corner guards
- 18" X 18" X 33" Available: DWG# 40236



VEG-569
DWG# 33494 DIM: 60" X 44 1/2" X 77 1/4"

- Display bin w/ (4X) removable bins
 - (2X) Removable shelves
- Rod sign holder w/ (2X) S hooks



EC-20 #2 O
DWG# 1443 DIM: 72" X 37" X 48 3/4"

- Table w/ adjustable shelf on three sides
 - Slant foam riser
 - (4X) 3" Swivel casters



OB-34974
DWG# 34974 DIM: 42" X 42" X 42"

- Display bin w/ plastic riser
- (4X) Channels for custom graphic panels
- Bumper guards



OBU-P 363460
DWG# 37063 DIM: 36" X 39 1/4" X 60"

- Display bin w/ flat plastic liner
- Adjustable shelf with price tag molding
- (2X) Adjustable shelves w/ pegboard back



KR BARREL DISP
DWG# 28223 DIM: 27" X 16" X 35"

- Half barrel display
- Two 5 1/2" Deep bins
- 1 1/2" Slatted wood design



VEG-327
DWG# 0805 DIM: 21 3/4" X 65" X 25 1/4" +

- Table w/ 38° fixed angle top
 - 3" Swivel casters
- Banana riser available: DWG# 0907



ZIG ZAG-007
DWG# 1104 DIM: 31 1/2" X 31 1/2" X 61 3/8"

- Fits (5X) lugs: DWG#s 5738 & 5737
- Five shelves at 30° w/ price tag molding
 - 3" Swivel casters



MET-TBL 001
DWG# 5850 DIM: 23 1/2" X 39" X 55 1/8"

- Fits (4X) lugs: DWG#s 5738 & 5737
- (2X) Adjustable shelves at 0° or 25°
 - 3" Swivel casters

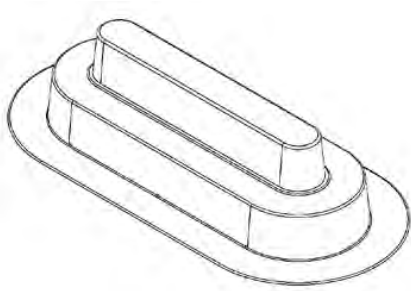


GTO-DRY

DWG# 2355

DIM: 49 1/2" X 25 1/2" X 31 1/16"

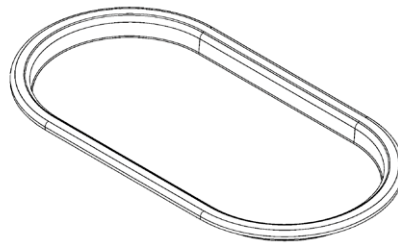
- Galvanized trough w/ 5" deep plastic liner
- (4X) 3" Swivel casters w/ locks & frame
- 10" Tall plastic riser available: DWG# 17616
- Various plastic liner options available



GTO-ICE RI

DWG# 17616 DIM: 41 3/4" X 18" X 10"

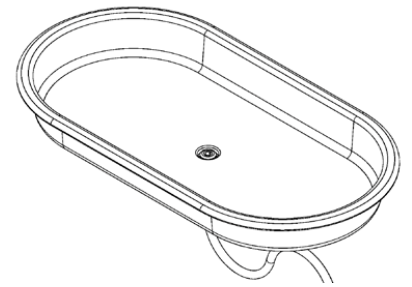
- Plastic riser w/ two steps
- Fits 48" X 24" oval displays



GTO-DRY PN2

DWG# 11712 DIM: 49 1/2" X 25 1/2" X 2 1/2"

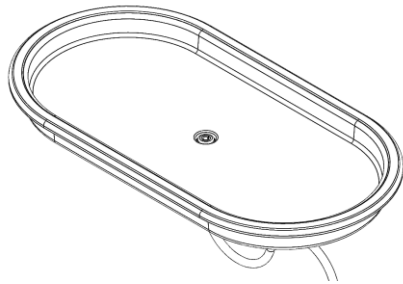
- Plastic liner
- Fits 48" X 24" oval displays
- 5" Deep dry liner available: DWG# 34850



GTO-WET PN

DWG# 27998 DIM: 49 1/2" X 26" X 5"

- Plastic liner w/ reservoir & drain system
- Fits 48" X 24" oval displays



GTO-ICE PN2

DWG# 11360 DIM: 49 1/2" X 25 3/4" X 2 1/2"

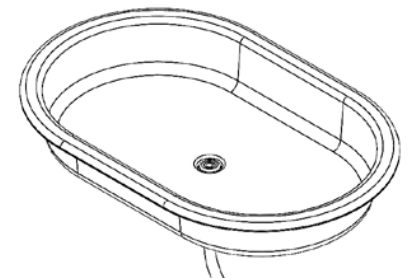
- Plastic liner w/ reservoir & drain system
- Insulated & fits 48" X 24" displays
- Deep liners available: DWG#s 27608 & 16918



GTO-ICE36

DWG# 27965 DIM: 36 1/4" X 23 3/4" X 3 3/4"

- Galvanized trough w/ 5" deep plastic ice liner
- (4X) 3" Swivel casters w/ locks & frame
- 5" Deep ice liner available: DWG# 27995



GTO-WET36PN

DWG# 27990 DIM: 36 1/4" X 23 3/4" X 5"

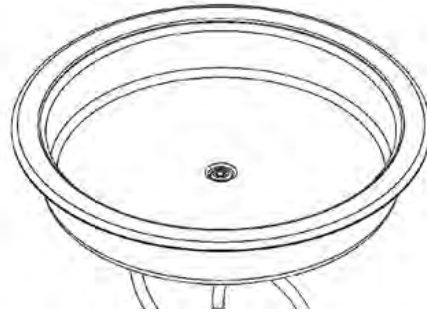
- Plastic liner w/ reservoir & drain system
- Fits 36" X 24" oval displays



GTR-ICE36

DWG# 27964 DIM: 35 3/4" X 35 3/4" X 31 3/4"

- Galvanized trough w/ 5" deep plastic ice liner
 - (4X) 3" Swivel casters w/ locks & frame
 - 5" Deep wet liner available: DWG# 27991



GTR-ICE36PN

DWG# 27996 DIM: 35 3/4" X 35 3/4" X 5"

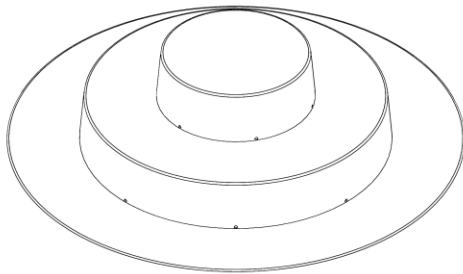
- Plastic liner w/ reservoir & drain system
 - Insulated
 - Fits 36" X 36" round displays



GTR-DRY

DWG# 2869 DIM: 49 1/2" X 49 1/2" X 31 13/32"

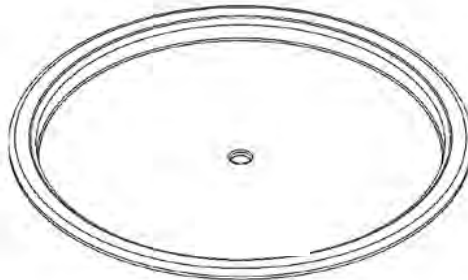
- Galvanized trough w/ 5" deep plastic liner
 - (4X) 3" Swivel casters w/ locks & frame
 - Various plastic liner options available



GTR-ICE RI2

DWG# 11564 DIM: 43 1/8" X 43 1/8" X 10"

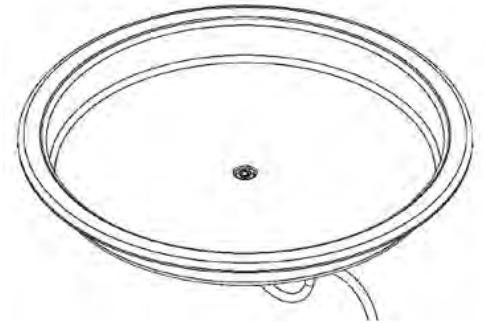
- Plastic riser w/ two steps
- Fits 48" X 48" round displays



GTR-DRY PN2

DWG# 11709 DIM: 49 3/8" X 49 3/8" X 2 1/2"

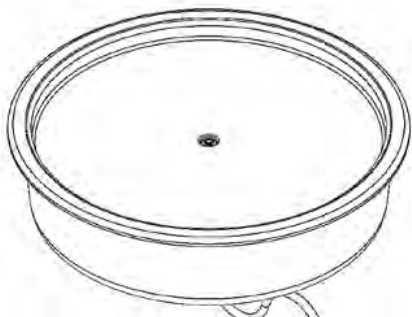
- Plastic liner
- Fits 48" X 48" round displays



GTR-WET PN

DWG# 28085 DIM: 49 3/8" X 49 3/8" X 5"

- Plastic liner w/ reservoir & drain system
- Fits 48" X 48" round displays



GTR-ICE PN2

DWG# 11442 DIM: 49 3/8" X 49 3/8" X 12"

- Plastic liner w/ reservoir & drain system
- Insulated & fits 48" X 48" round displays
- 5" Deep ice liner available: DWG# 15342

PRODUCE: **DISPLAY BIN**



EC-39641

DWG# 39641 DIM: 72" X 18" X 54 1/2"

- Endcap display w/ backboard & foam riser
- Four fixed shelves w/ plastic liners
- Metal corner guards



GEC #16

DWG# 15032 DIM: 86" X 14" X 46 7/8"

- Endcap display w/ six box shelves
- (3X) Adjustable shelves & 3" swivel casters
- Metal corner guards & bumper guards



EC-397

DWG# 31783 DIM: 73 1/4" X 36" X 57"

- 10° Slant top endcap display
- Fixed top shelf & adjustable bottom shelf
- 3" Swivel casters



CRATE

DWG#: 2925 DIM: 12" X 12" X 10"

- Slatted wood crate w/ rough or smooth finish
- False bottom available: DWG# 2924
- Various sizes available



CRATE

DWG#: 14529 DIM: 12" X 12" X 10"

- Slatted wood crate w/ smooth finish
- Collapsible sides w/ connecting brackets
- Various sizes available



CRATE

DWG#: 2911 DIM: 18" X 12" X 9 1/2"

- Two slatted wood sides w/ smooth finish
- Two flat wood sides
- Various sizes available



V-55 241228

DWG# 2841 DIM: 24 1/2" X 12 1/2" X 28 3/32"

- Rectangular display w/ 1" deep plastic liner
- 2" Slatted wood design
- 36 1/2" Length available: DWG# 6148



V-55 721230

DWG# 11697 DIM: 72 1/2" X 12 1/2" X 30 3/32"

- Rectangular display w/ 1" deep plastic liner
- 2" Slatted wood design
- 48 1/2" Length available: DWG# 1760



VEG-547

DWG# 32317 DIM: 48" X 22" X 52 5/8"

- Two fixed crates at 30° w/ plastic liners
- Removable clear fronts & clear lids w/ hinges
- Two crates w/ removable wire product stop



MET06 OSQ

DWG# 31993 DIM: 47 1/2" X 48 3/4" X 27 7/8" +

- Table w/ adjustable top & pull out drawer
- (2X) Plastic liners & 2" adjustable legs
- Various sizes available



MET03 OSQ

DWG# 1219 DIM: 47 1/2" X 36" X 30 3/8" +

- Table w/ adjustable top & pull out drawer
- Pull out pallet & (3X) plastic liners
- Various sizes available



ET190 O 3RS

DWG# 2744 DIM: 47 1/2" X 39 1/4" X 25" +

- Table w/ adjustable top & pull out drawer
- (3X) Adjustable angle shelves & adjustable legs
- Various sizes available



ET190 O

DWG# 1917 DIM: 48" X 36 3/4" X 25 1/4" +

- Table w/ adjustable top & pull out drawer
- 2 1/2" Adjustable square tube legs
- Various sizes available



ET190 O 36X36PA

DWG# 3138 DIM: 36" X 36 3/4" X 25 3/8" +

- Table w/ adjustable top
- Pull out drawer & pull out pallet
- 47 7/8" X 36 3/4" X 25 3/8" Available: DWG# 3141



V-107 6X3 RO

DWG# 39844 DIM: 72 3/8" X 36 3/8" X 32 13/16" +

- Table w/ adjustable top
- 4" Deep plastic liner & 3" swivel casters w/ locks
- Various sizes available



EC-62 O

DWG# 1935 DIM: 87 7/32" X 38 1/8" X 22 3/4" +

- Table w/ (3X) adjustable tops
- 2 1/2" Adjustable square tube legs
- (4X) 3" Swivel casters w/ locks



MET-EC 003

DWG# 16162 DIM: 76 1/8" X 31 1/16" X 49 3/8"

- Table w/ pull out drawer & pull out pallet
- (3X) Plastic liners
- 3" Swivel casters

OBP-BAN11



DWG# 27631
DIM: 96 1/4" X 87" X 46 5/32"

- Plastic riser w/ foam pad
- (8X) Storage carts sold separately: DWG# 35173
- Metal corner guards & foot cladding
- (4X) Sign holders w/ S hooks



PBU-3
DWG# 1523 DIM: 31 1/2" X 31 1/2" X 77 5/8"

- Portable banana rack
- (6X) Adjustable scoop shelves w/ foam pad
- (4X) Swivel casters w/ locks



VEG-526
DWG# 30799 DIM: 72" X 36" X 52 3/8"

- Banana display w/ foam pad riser
- Fit two together to create a full circle display
- 3" Swivel casters



PRO BAN TBL
DWG# 21467 DIM: 55 1/2" X 39" X 53 1/4"

- Banana display w/ foam pad riser
- (2X) Floor carts w/ plastic liners
- (2X) Pullout drawers



EC-BAN
DWG# 33651 DIM: 87" X 48 3/4" X 26 1/2"+

- Table w/ adjustable top & plastic liner
- Metal corner guards & foot cladding
- Fits (4X) storage carts: DWG# 35173



EC-250
DWG# 17832 DIM: 72" X 48" X 61"

- Banana display w/ foam pad riser
- Metal table w/ fixed shelf
- Fits (20X) 19 1/2" X 16" X 10" banana boxes



VEG-22 BAN

DWG# 7545 DIM: 23 7/8" X 27 7/8" X 11 7/32"

- Plastic riser
- Foam pad sold separately
- Three steps w/ scoops



VEG-296

DWG# 33810 DIM: 35 11/32" X 11 11/32" X 9"

- Plastic riser w/ raised sides
- Foam pad & two steps w/ scoops
- 11 3/8" Width available: DWG# 5736



VEG-108 BAN24

DWG# 18550 DIM: 24" X 33 7/8" X 2 1/4"

- Plastic riser
- Foam pad sold separately
- Four scoops



VEG-106 BAN#9

DWG# 4999 DIM: 35 7/8" X 47 1/4" X 2 1/4"

- Plastic riser
- Foam pad sold separately
- Four scoops



VEG-106 BAN#3

DWG# 14874 DIM: 36 1/2" X 48 1/2" X 3 1/16"

- Plastic riser
- Foam pad sold separately
- Five scoops



VEG-106 BAN#2

DWG# 14882 DIM: 47 11/16" X 48 1/4" X 2 15/16"

- Plastic riser
- Foam pad sold separately
- Five scoops



VEG-173 41

DWG# 17712 DIM: 22 1/16" X 40 31/32" X 6"

- Plastic riser
- Frame w/ six steps & (6X) removable trays



VEG-301-2

DWG# 11651 DIM: 40 31/32" X 23 3/8" X 6"

- Plastic riser
- Four steps

PRODUCE: DISPLAY TRAY



EZC

DWG# 22911 DIM: 24" X 26" X 2 1/2"

DWG# 11002 DIM: 24" X 19" X 2 1/2"

DWG# 16740 DIM: 15 1/2" X 26" X 2 1/2"

DWG# 36712 DIM: 15 1/2" X 25" X 2 1/2"

DWG# 21585 DIM: 12" X 26" X 2 1/2"

DWG# 7671 DIM: 12" X 21" X 2 1/2"

DWG# 5851 DIM: 12" X 19" X 2 1/2"

DWG# 14683 DIM: 12" X 16" X 2 1/2"

- Curved front tray w/ bottom shelf lip
 - With or without holes
- With or without price tag molding



EZ-REV

DWG# 7405 DIM: 12" X 14" X 3"

DWG# 1388 DIM: 12" X 16" X 3"

- Tray w/ reversible depth 1 15/16" or 1 5/16"
 - Available with or without holes
- Divider for DWG# 7405 available: DWG# 7532



CCF

DWG# 11510 DIM: 14" X 24" X 4"

DWG# 11059 DIM: 16" X 24" X 4"

DWG# 15324 DIM: 18" X 24" X 4"

- Plastic tray w/ removable clear front
 - Removable center divider
- Available with or without price tag molding
- Available with or without magnetic shelf strip



EZ

DWG# 11113 DIM: 8" X 18" X 3"

DWG# 11114 DIM: 8" X 16" X 3"

DWG# 11115 DIM: 8" X 14" X 3"

DWG# 7462 DIM: 6" X 16" X 3"

- Plastic basket
 - Narrow wicker style
- Available with or without holes



EZ

DWG# 37387 DIM: 19" X 27" X 2 1/2"

DWG# 28144 DIM: 18" X 20" X 2 1/2"

DWG# 24572 DIM: 14" X 20" X 4"

DWG# 2980 DIM: 12" X 16" X 3"

DWG# 10674 DIM: 12" X 18" X 6"

DWG# 29681 DIM: 12" X 14" X 2"

- Plastic basket
 - Rectangular wicker style
- Available with or without holes



LUG

DWG# 28151 DIM: 11 5/8" X 15 5/8" X 3 1/32"

DWG# 11600 DIM: 11 5/8" X 15 5/8" X 5"

DWG# 1061 DIM: 15 5/8" X 23 5/8" X 5"

- Plastic lug
- Stackable



PS-4 G

DWG# 37414 DIM: 5 7/32" X 20 1/8" X 1 17/32"

- Pro stack tray
- Clear plastic
- Four round pockets: 4 7/16"



PS-8 G

DWG# 37413 DIM: 10 1/2" X 20 1/8" X 1 17/32"

- Pro stack tray
- Clear plastic
- Eight round pockets: 4 7/16"



PS-10 F

DWG# 37465 DIM: 7 29/32" X 19 1/2" X 2 15/16"

- Pro stack tray
- Clear plastic
- Ten round pockets: 3 3/4"



PS-12 F

DWG# 37466 DIM: 6 15/32" X 19 1/2" X 2 15/16"

- Pro stack tray
- Clear plastic
- Twelve round pockets: 3 3/4"



PS-20 F

DWG# 19208 DIM: 15 7/8" X 19 1/2" X 1 5/8"

- Pro stack tray
- Clear plastic
- Twenty round pockets: 3 3/4"



PS-24 F

DWG# 22058 DIM: 13" X 19 1/2" X 1 19/32"

- Pro stack tray
- Clear plastic
- Twenty four round pockets: 2 29/32"



BB-PS 20

DWG# 26385 DIM: 15 3/4" X 19 3/8" X 1 1/2"

- Foam pad
- Twenty round pockets
- Various sizes available



BB-PEAR

DWG# 31055 DIM: 17 1/2" X 21 1/2" X 1 1/2"

- Foam pad
- Twenty pear shaped pockets
- Various sizes available

PRODUCE: **UNIVERSAL ACCESSORIES**



BH-001

DWG# 10237 DIM: 12" X 12" X 45"

- Free standing bag holder
- 1 ¼" metal tubing
- 12 G metal base



BH-22 MET

DWG# 27413 DIM: 6" X 6" X 25"

- Table top mount bag holder
- 16 G metal tubing
- 10 G metal base



BHC-24

DWG# 37889 DIM: 15" X 6" X 40 ½"

- Adjustable bag holder w/ tie cup
- 1 ¼" metal tubing
- 12 G metal base clamp



BSC-24

DWG# 37888 DIM: 21" X 10 ¾" X 40 ½"

- Adjustable bag & scale holder w/ tie cup
- 1 ¼" metal tubing
- 12 G metal base clamp



BH-289

DWG# 31366 DIM: 6" X 6" X 43 ¾"

- Bag holder w/ tie cup
- 1 ¼" metal tubing
- 12 G metal base fits 2" widths



BH-3

DWG# 14998 DIM: 6" X 6" X 18 ½"

- Adjustable angle bag holder w/ snap button
- ¾" metal tubing
- 12 G metal base fits 1 ½" widths



FG

DWG# 4242 DIM: 24" X 4" X 6"

- Acrylic plastic front guard
- Available in various lengths & sizes



CLR-SH

DWG# 27762 DIM: 7 ¼" X 1 13/16" X 6"

- Clear plastic sign holder w/ edge hook
- Available in various sizes



SH-57

DWG# 16275 DIM: 47 ¾" X 16" X 32 15/16"

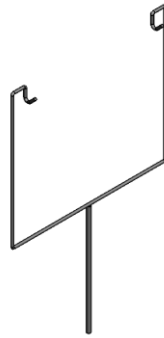
- (6X) Sign holder w/ wood base
- (12X) Sign hangers
- Plastic sign available: item# ITEM16X13SGNMLD



CB-3C

DWG# 5698 DIM: 35 5/8" X 3" X 33"

- Channel sign holder w/ two base plates
- Chalkboard w/ wood frame
- Available in various sizes



SH-GP

DWG# 15279 DIM: 31" X 5 1/16" X 30 5/16"

- Goalpost sign holder
- Available in various sizes
- Available w/ various footing attachments



SH-205

DWG# 35511 DIM: 6" X 7 1/16" X 16 1/4"

- Channel sign holder w/ base plate
- Available in various heights & sizes



SW10053

DWG# A1067 DIM: Call for dimensions

- 6" Display tongs
- Tether available



SW10211

DWG# 37575 DIM: 7 1/4" X 12 3/16" X 12"

- Table top scale w/ 10" cradle bowl
- Measures up to 30 lbs
- Stainless steel



SW00708

DWG# A1156 DIM: Call for dimensions

- Display scoop
- Measures up to 5 oz
- Tether cord available



Z-BASKET 83205

DWG# A1193 DIM: Call for dimensions

- Round willow basket
- Cut out on one side



SW00245

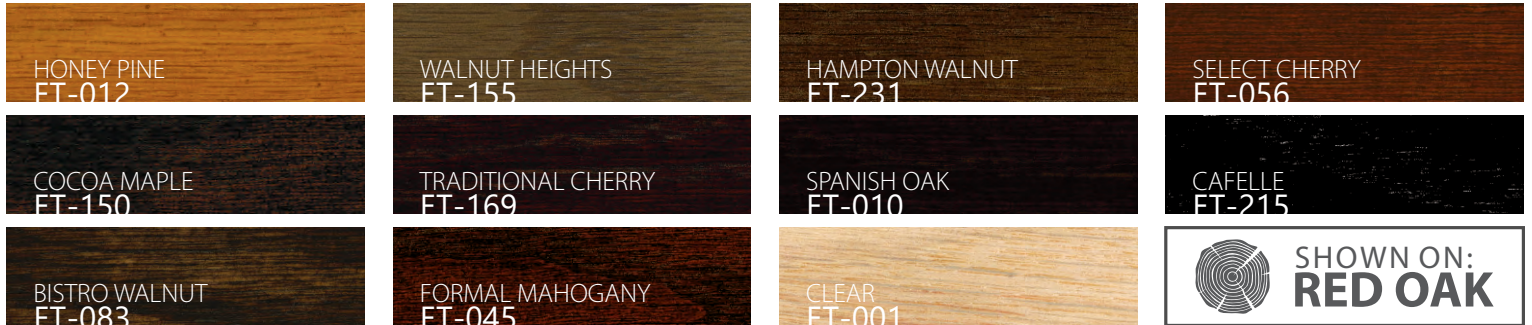
DWG# A2253 DIM: Call for dimensions

- Rectangular synthetic wicker basket
- Slanted sides w/ front height at 5"

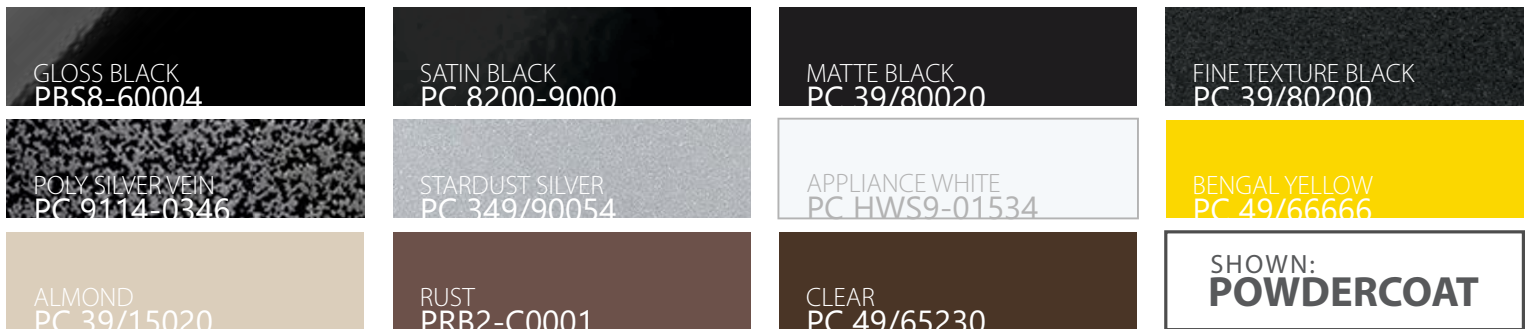
MATERIALS



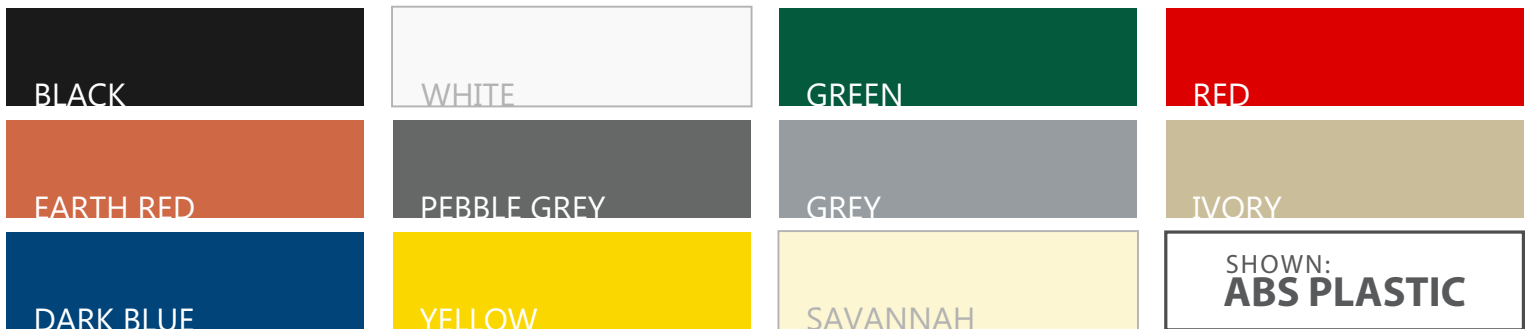
LACQUER STAINS



POWDERCOAT



FINISHES



For a full list of finishes, please consult with your area sales representative.

**Payment Terms**

Net 30 days with approved credit.

Credit Card Policy

All credit card orders must include card number, name as it is printed on the credit card, expiration date, & security code if required.

International Orders

All international orders are handled by advance wire payment only. Please contact our office at 817-244-8300 or one of our representatives for details.

Tax Policy

Final product destinations in CA, FL, MI, NJ, OH, TX & WA will have sales tax added to the invoice. Final product destinations in other states may be required to add applicable sales tax.

Warranty Information

All equipment manufactured by the Marco Company is warranted by the Marco Company to function for a period of one year from the date of purchase. Any equipment that is defective due to poor workmanship or materials will be replaced at no charge or your money will be refunded. For purposes of this warranty, material defects exclude the natural variant & characteristics of wood products. This warranty does not cover circumstances beyond our control such as abuse, freight damages, failure to follow proper guidelines in assembly and/or maintaining the equipment, or natural disasters.

Shipping & Handling

The customer is responsible for all freight charges. The Marco Company will work to ship your order using the most appropriate method & carrier. The Marco Company will prepay & add freight charges to the invoice. Our Customer Service Department will track shipments, provide freight quotes, & proofs of delivery. International shipping is available to most countries. Please provide the United States export forwarder information when placing the order. This includes the name, address, & phone number. Shipping does not include inside delivery. All customers are responsible for unloading from the carriers' tailgate. Anyone with special delivery requirements should include instructions at the time of ordering.

RMA Policy

The Marco Company takes great care in packaging every order, so that it arrives in good condition. All returns require a Return Material Authorization (RMA) number. Please contact Marco Company Customer Service at 1-800-356-2848 if you need to obtain an RMA.

Concealed Damage

The Marco Company will repair or replace concealed damage items reported within 4 days of delivery. The customer will be responsible for all returns and replacement freight charges.

Non-Defective Returns

All non-defective returns, when RMA granted, will be subject to a restocking fee. Custom items are non returnable. Customer is responsible for all return freight charges

Returns Processing

Upon receipt of returned product, Marco Company will inspect and notify you that we have received your return. Upon inspection and return is approved we will initiate an exchange or a refund.

All returns are subject to a 35% restocking fee.

Limited Liability

Customer's sole & exclusive remedy for any alleged defects or nonconformity of products shall be, at The Marco Company's option, repair, replacement or refund or credit for a pro rata portion of the purchase price attributable thereto. Under no circumstances shall The Marco Company be liable for any special, incidental, consequential, exemplary, punitive, multiple, personal injury or property damages, or other indirect or liquidated damages, costs or loss of profit incurred by Customer as a direct or indirect result of design, manufacturing, sale, installation or use of products or any defect or nonconformity in the products, or delay or failure or delay of delivery, whether based on warranty, contract, tort, strict liability, negligence, or otherwise, regardless of whether The Marco Company was aware of or should have been aware of the possibility of such damages or costs. The Marco Company's liability in connection with the sale of products shall not exceed the net sales price of the defective products received by it.

Severability

These terms & conditions of sale shall not be construed against the party preparing them but shall be construed as if all parties jointly prepared these terms & conditions of sale & any uncertainty or ambiguity shall not be interpreted against any one party. If any provision hereof is held to be illegal, invalid or unenforceable under any present or future laws, such provision shall be fully severable & the terms & conditions herein shall be construed & enforced as if such illegal, invalid or unenforceable provision had never been made a part hereof. The remaining provisions herein shall remain in full force & effect & shall not be affected by such illegal, invalid or unenforceable provisions or by their severance here from.

Governing Law/Exclusive Forum

These terms & conditions shall be governed by & be construed in accordance with the internal laws of the State of Texas, without regard to the conflicts of laws principles thereof. Parties hereby irrevocably submit all disputes &/or claims to the jurisdiction of the United States District Court for the Northern District of Texas, &, if such court does not have jurisdiction, of the courts of the State of Texas in Tarrant County, for the purposes of any proceeding arising out of these terms & conditions, or the subject matter hereof or thereof, brought by any other party.

Catalog Notes

The Marco Company makes all reasonable efforts to ensure the information in this catalog is correct; however, it is possible errors may occur. The Marco Company is not liable for misprints or other errors in this catalog. In addition, The Marco Company reserves the right to change pricing, minimum order requirements or product specifications & availability without prior notice. The Marco Company strongly recommends customer testing of product to ensure product meets all customer requirements for all intended applications.



FULL SPECTRUM RETAIL SOLUTIONS
800.356.2848
@MARCOCOMPANY